



# Malaguti

IDEE IN MOTO

## F 12 LC 2D RESTYLING KAT EURO 2



### TELAIO - INDICE TAVOLE

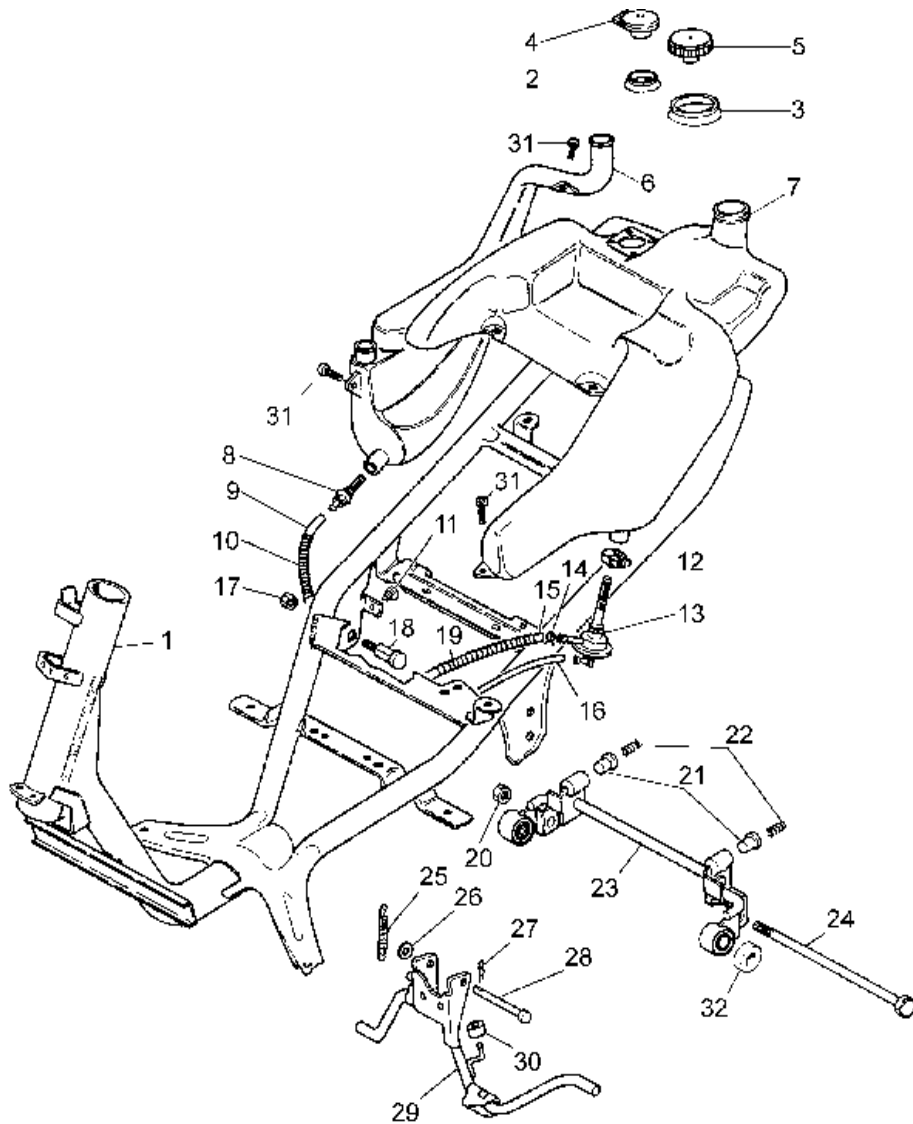
### FRAME - INDEX OF THE TABLES

|            |             |              |            |            |
|------------|-------------|--------------|------------|------------|
| TAV. A<br> | TAV. B<br>  | TAV. C-D<br> | TAV. E<br> | TAV. F<br> |
| TAV. G<br> | TAV. H<br>  | TAV. I<br>   | TAV. L<br> | TAV. M<br> |
| TAV. N<br> | TAV. OO<br> | TAV. O<br>   |            |            |

### MOTORE - INDICE TAVOLE

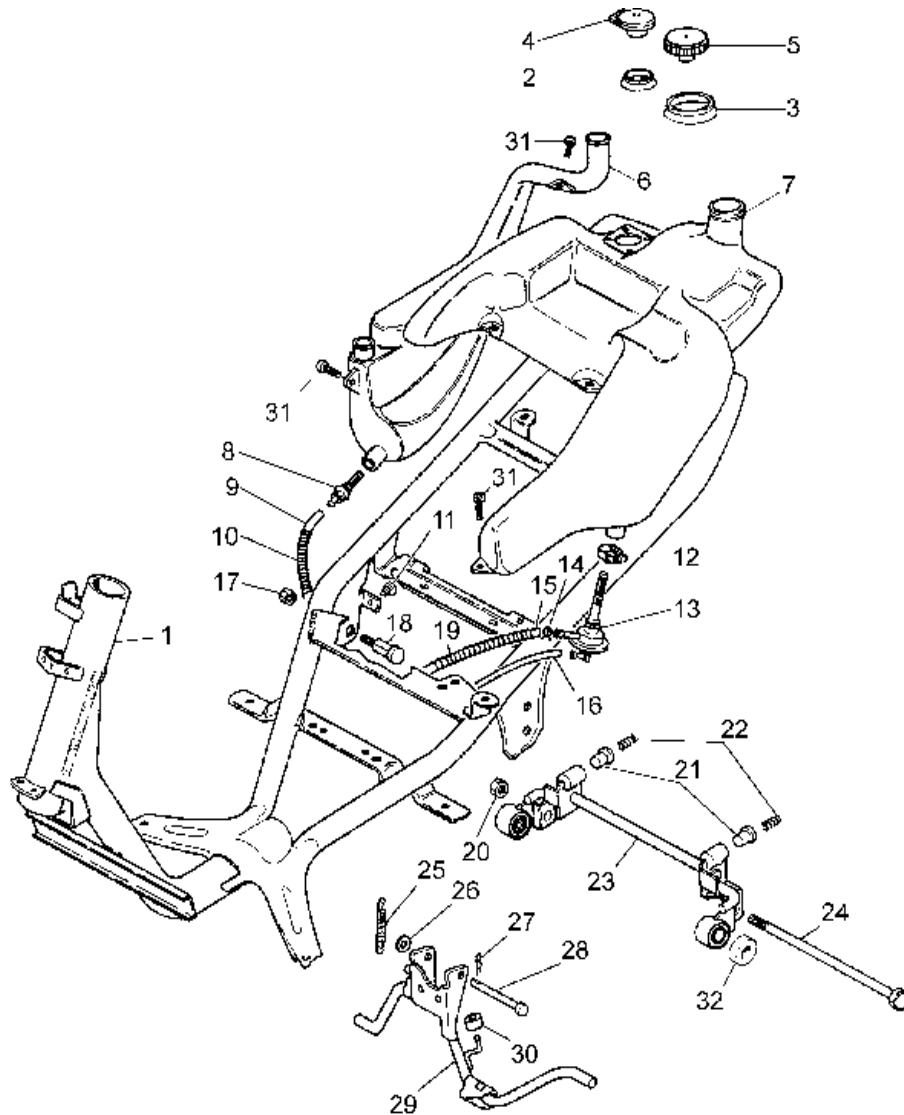
### ENGINE - INDEX OF THE TABLES

|            |             |  |  |  |
|------------|-------------|--|--|--|
| TAV. R<br> | TAV. R1<br> |  |  |  |
|------------|-------------|--|--|--|



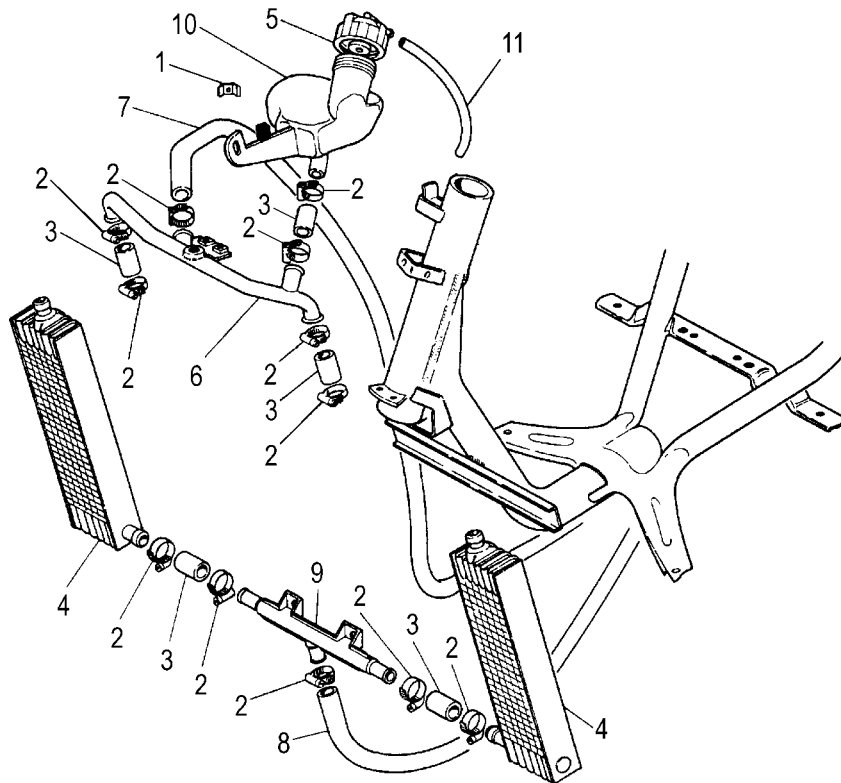
| Nr. | Codice     | Q.tà | Descrizione                       |
|-----|------------|------|-----------------------------------|
| 1   | 156.071.99 | 1    | Telaio                            |
| 2   | 071.441.03 | 1    | Coperchio tappo serbatoio olio    |
| 3   | 071.442.03 | 1    | Coperchio tappo serbatoio benzina |
| 4   | 071.144.00 | 1    | Tappo serbatoio olio              |
| 5   | 092.016.03 | 1    | Tappo serbatoio benzina           |
| 6   | 069.014.00 | 1    | Serbatoio olio                    |
| 7   | 161.060.00 | 1    | Serbatoio benzina                 |
| 8   | 094.007.00 | 1    | Raccordo olio                     |
| 9   | 180.003.54 | 1    | Tubo olio                         |
| 10  | 147.102.13 | 1    | Molla tubo olio                   |
| 11  | 072.066.03 | 2    | Gommino antivibrante              |
| 12  | 167.031.00 | 1    | Fascetta stringitubo              |
| 13  | 093.045.00 | 1    | Rubinetto benzina                 |
| 14  | 167.018.13 | 6    | Fascetta tubo benzina             |
| 15  | 180.010.50 | 1    | Tubo benzina Ø 5                  |
| 16  | 180.003.60 | 1    | Tubo benzina Ø 4                  |
| 17  | 185.012.00 | 2    | Dado fulcro bilanciere            |
| 18  | 190.020.13 | 2    | Perno supporto motore             |
| 19  | 147.080.13 | 1    | Molla tubo benzina                |
| 20  | 185.011.00 | 1    | Dado fulcro motore                |
| 21  | 080.010.00 | 2    | Portamolla                        |
| 22  | 147.106.14 | 2    | Molla antivibrazione              |
| 23  | 174.020.99 | 1    | Attacco motore completo           |
| 24  | 190.019.13 | 1    | Perno motore                      |
| 25  | 147.109.13 | 1    | Molla cavalletto doppia           |

| Nr. | Code       | Q.ty | Description             |
|-----|------------|------|-------------------------|
| 1   | 156.071.99 | 1    | Frame                   |
| 2   | 071.441.03 | 1    | Oil tank cap cover      |
| 3   | 071.442.03 | 1    | Fuel tank cap cover     |
| 4   | 071.144.00 | 1    | Oil tank cap            |
| 5   | 092.016.03 | 1    | Fuel tank cap           |
| 6   | 069.014.00 | 1    | Oil tank                |
| 7   | 161.060.00 | 1    | Petrol tank             |
| 8   | 094.007.00 | 1    | Oil pipe connector      |
| 9   | 180.003.54 | 1    | Oil pipe                |
| 10  | 147.102.13 | 1    | Oil pipe spring         |
| 11  | 072.066.03 | 2    | Rubber grommet          |
| 12  | 167.031.00 | 1    | Clamp                   |
| 13  | 093.045.00 | 1    | Fuel cock               |
| 14  | 167.018.13 | 6    | Petrol pipe clamp       |
| 15  | 180.010.50 | 1    | Fuel hose Ø 5           |
| 16  | 180.003.60 | 1    | Fuel hose Ø 4           |
| 17  | 185.012.00 | 2    | Engine mount fixing nut |
| 18  | 190.020.13 | 2    | Engine mount bolt       |
| 19  | 147.080.13 | 1    | Pipe spring             |
| 20  | 185.011.00 | 1    | Lower engine mount nut  |
| 21  | 080.010.00 | 2    | Full bump spring cup    |
| 22  | 147.106.14 | 2    | Full bump spring        |
| 23  | 174.020.99 | 1    | Engine mount bracket    |
| 24  | 190.019.13 | 1    | Lower engine mount bolt |
| 25  | 147.109.13 | 1    | Main stand spring       |



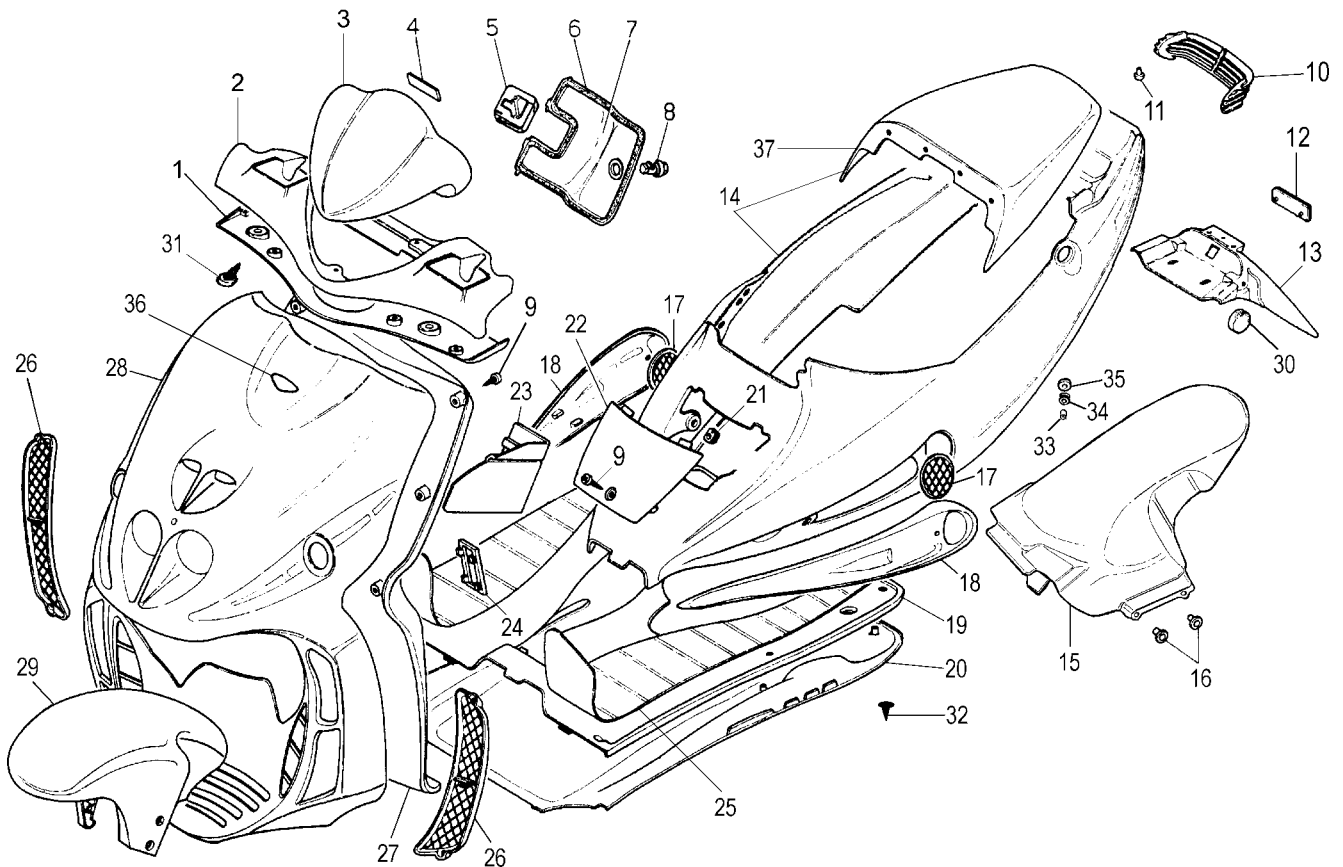
| Nr. | Codice     | Q.tà | Descrizione                  |
|-----|------------|------|------------------------------|
| 26  | 071.140.03 | 1    | Rondella in gomma            |
| 27  | 184.011.00 | 1    | Copiglia                     |
| 28  | 150.177.15 | 1    | Perno cavalletto             |
| 29  | 158.040.99 | 1    | Cavalletto completo          |
| 30  | 072.064.00 | 1    | Gommino paracolpi cavalletto |
| 31  | 184.060.15 | 3    | Viti fissaggio serbatoio     |
| 32  | 191.025.13 | 1    | Scodellino                   |
| --  | 090.028.00 | 1    | Kit serrature                |

| Nr. | Code       | Q.ty | Description            |
|-----|------------|------|------------------------|
| 26  | 071.140.03 | 1    | Main stand washer      |
| 27  | 184.011.00 | 1    | Split pin              |
| 28  | 150.177.15 | 1    | Main stand pivot pin   |
| 29  | 158.040.99 | 1    | Main stand assy        |
| 30  | 072.064.00 | 1    | Main stand bump stop   |
| 31  | 184.060.15 | 3    | Fuel tank fixing screw |
| 32  | 191.025.13 | 1    | Cap                    |
| --  | 090.028.00 | 1    | Lock set               |



| Nr. | Codice     | Q.tà | Descrizione                     |
|-----|------------|------|---------------------------------|
| 1   | 191.022.13 | 1    | Piastra attacco vaso espansione |
| 2   | 167.031.00 | 12   | Fascetta stringitubo            |
| 3   | 077.023.00 | 5    | Manicotto radiatore             |
| 4   | 108.015.00 | 2    | Radiatore                       |
| 5   | 071.219.03 | 1    | Tappo vaso espansione           |
| 6   | 077.026.13 | 1    | Tubo mandata raccordo-radiatori |
| 7   | 077.024.00 | 1    | Tubo mandata motore-raccordo    |
| 8   | 077.029.00 | 1    | Tubo ritorno raccordo-motore    |
| 9   | 077.027.13 | 1    | Tubo ritorno radiatori-raccordo |
| 10  | 108.016.00 | 1    | Vaso espansione                 |
| 11  | 180.002.54 | 1    | Tubo sfiato vaso espansione     |

| Nr. | Code       | Q.ty | Description                      |
|-----|------------|------|----------------------------------|
| 1   | 191.022.13 | 1    | Radiator filler neck fix bracket |
| 2   | 167.031.00 | 12   | Clip                             |
| 3   | 077.023.00 | 5    | Water pipe                       |
| 4   | 108.015.00 | 2    | Radiator                         |
| 5   | 071.219.03 | 1    | Radiator filler cap              |
| 6   | 077.026.13 | 1    | Water delivery pipe              |
| 7   | 077.024.00 | 1    | Water delivery pipe              |
| 8   | 077.029.00 | 1    | Tube                             |
| 9   | 077.027.13 | 1    | Tube                             |
| 10  | 108.016.00 | 1    | Water tank                       |
| 11  | 180.002.54 | 1    | Hose                             |

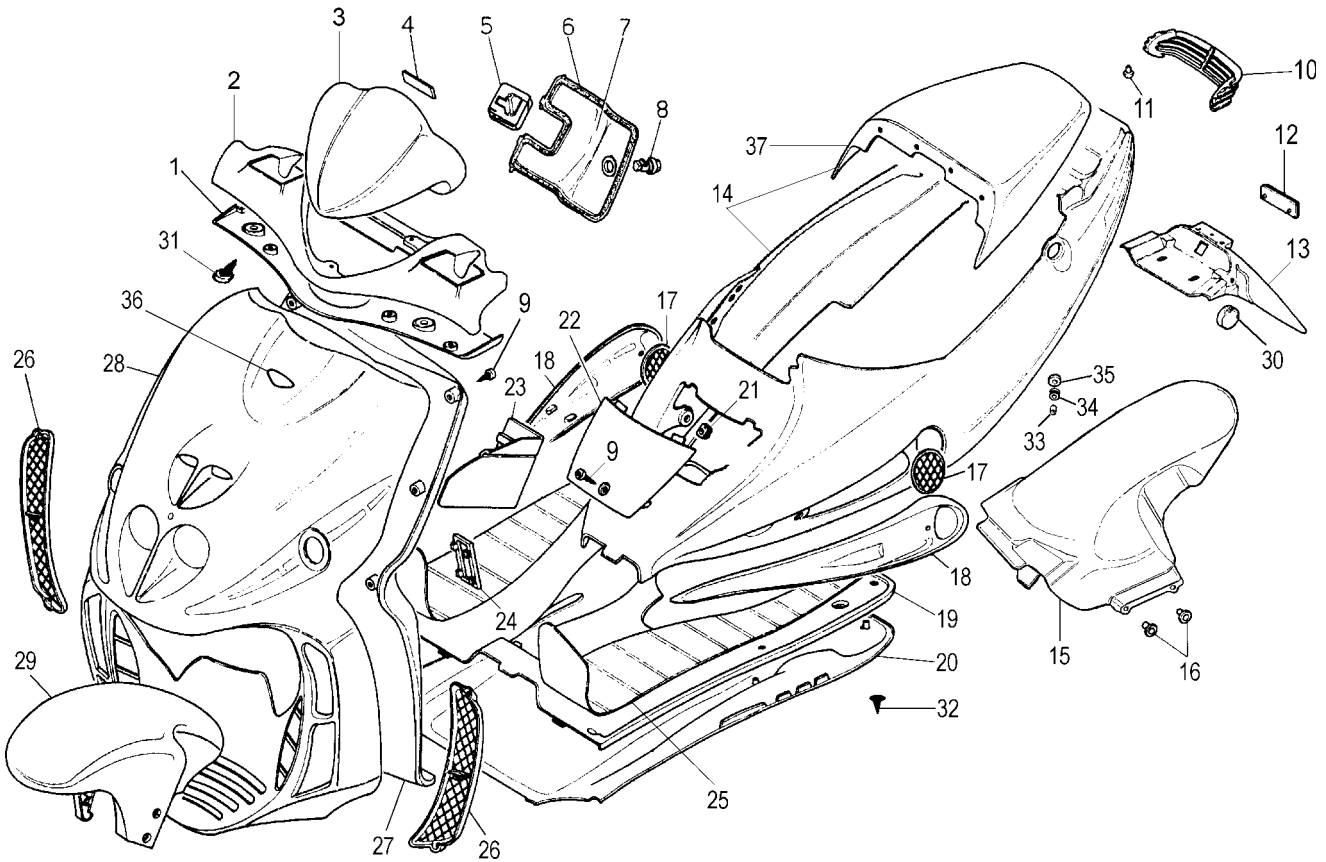


| Nr. | Codice       | Q.tà | Descrizione                    |
|-----|--------------|------|--------------------------------|
| 1   | 071.184.03   | 1    | Coprimanubrio inferiore        |
| 2   | 071.291. - - | 1    | Coprimanubrio superiore *      |
| 3   | 067.024.03   | 1    | Portastrumenti                 |
| 4   | 181.090.00   | 1    | Etichetta in resina            |
| 5   | 071.182.03   | 1    | Gancio borsa                   |
| 6   | 072.067.00   | 1    | Guarnizione coperchio batteria |
| 7   | 071.185.03   | 1    | Coperchio bauletto             |
| 8   | 090.024.00   | 1    | Serratura sportello batteria   |
| 9   | 184.041.15   | 16   | Viti per scudo paragambe       |
| 10  | 071.443.03   | 1    | Griglia fanalino posteriore    |
| 11  | 071.152.03   | 4    | Paracolpi                      |
| 12  | 071.322.00   | 1    | Catadiottro                    |
| 13  | 057.055.03   | 1    | Codino parafango               |
| 14  | 063.210. - - | 1    | Carena posteriore con codino * |
| 15  | 056.058.07   | 1    | Copri ruota posteriore         |
| 16  | 150.148.14   | 2    | Boccola                        |
| 17  | 071.192.03   | 1    | Kit griglia carena             |
| 18  | 071.444.03   | 1    | Prese d'aria in coppia         |
| 19  | 064.012.03   | 1    | Pedana in plastica             |
| 20  | 063.102. - - | 1    | Puntone *                      |
| 21  | 184.007.00   | 14   | Clips per viti                 |
| 22  | 071.186.03   | 1    | Coperchio carena               |
| 23  | 071.187.03   | 1    | Coperchio batteria             |

\* Vedi tav. N° OO Colori

| Nr. | Code         | Q.ty | Description                   |
|-----|--------------|------|-------------------------------|
| 1   | 071.184.03   | 1    | Handlebar cover (lower)       |
| 2   | 071.291. - - | 1    | Handlebar cover (upper) *     |
| 3   | 067.024.03   | 1    | Clocks top cover              |
| 4   | 181.090.00   | 1    | Dashboard label               |
| 5   | 071.182.03   | 1    | Bag handle                    |
| 6   | 072.067.00   | 1    | Battery cover gasket          |
| 7   | 071.185.03   | 1    | Glove box cover               |
| 8   | 090.024.00   | 1    | Glove box lock                |
| 9   | 184.041.15   | 16   | Fairing screw                 |
| 10  | 071.443.03   | 1    | Rear lens grille              |
| 11  | 071.152.03   | 4    | Screw                         |
| 12  | 071.322.00   | 1    | Red reflector                 |
| 13  | 057.055.03   | 1    | Rear mudguard tail            |
| 14  | 063.210. - - | 1    | Rear fairing with seat tail * |
| 15  | 056.058.07   | 1    | Rear mudguard                 |
| 16  | 150.148.14   | 2    | Rear hugger fixing bolts      |
| 17  | 071.192.03   | 1    | Grill set                     |
| 18  | 071.444.03   | 1    | Air intake grilles            |
| 19  | 064.012.03   | 1    | Foot board panel              |
| 20  | 063.102. - - | 1    | Belly pan *                   |
| 21  | 184.007.00   | 14   | Fairing fixing clips          |
| 22  | 071.186.03   | 1    | Inspection cover              |
| 23  | 071.187.03   | 1    | Battery cover                 |

\* Refer to N° OO Colour table

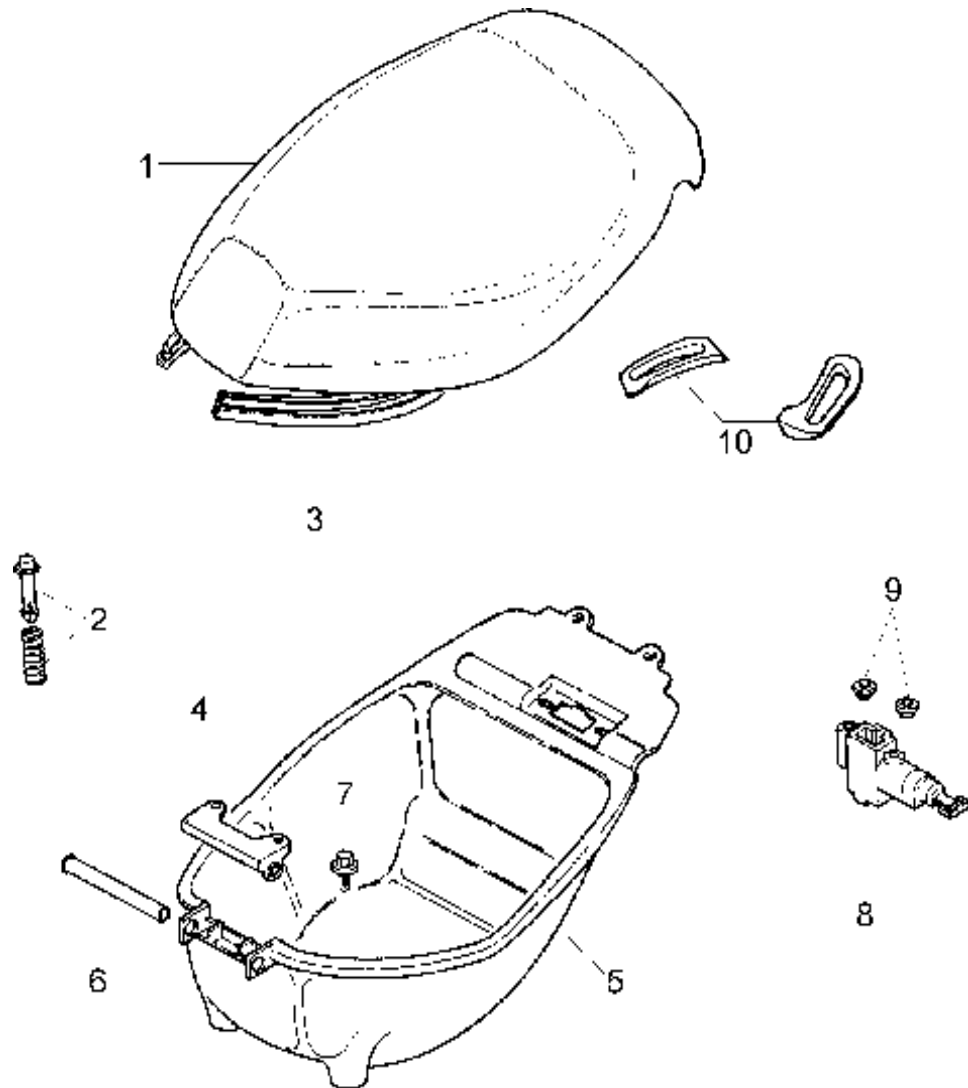


| Nr. | Codice      | Q.tà | Descrizione                       |
|-----|-------------|------|-----------------------------------|
| 24  | 071.145.03  | 1    | Coperchio per numeri              |
| 25  | 064.013.07  | 1    | Pedana in gomma in coppia         |
| 26  | 071.192.03  | 1    | Kit griglie scudo                 |
| 27  | 065.045.03  | 1    | Paragambe                         |
| 28  | 066.085. -- | 1    | Scudo anteriore *                 |
| 29  | 055.058. -- | 1    | Parafango anteriore *             |
| 30  | 071.225.00  | 2    | Catadiottro ambra                 |
| 31  | 184.071.15  | 4    | Viti autofilettante coprimanubrio |
| 32  | 184.155.15  | 6    | Vite pedana - carena              |
| 33  | 150.043.00  | 2    | Distanziale                       |
| 34  | 080.002.07  | 2    | Gommino                           |
| 35  | 072.087.00  | 4    | Rondella speciale                 |
| 36  | 181.338. -- | 1    | Marca scudo                       |
| 37  | 063.217. -- | 1    | Codino sella *                    |

| Nr. | Code        | Q.ty | Description                  |
|-----|-------------|------|------------------------------|
| 24  | 071.145.03  | 1    | VIN numbers inspection cover |
| 25  | 064.013.07  | 1    | Mat set                      |
| 26  | 071.192.03  | 1    | Grille set                   |
| 27  | 065.045.03  | 1    | Front inner shield           |
| 28  | 066.085. -- | 1    | Front shield *               |
| 29  | 055.058. -- | 1    | Front mudguard *             |
| 30  | 071.225.00  | 2    | Amber reflector              |
| 31  | 184.071.15  | 4    | Handlebar cover screw        |
| 32  | 184.155.15  | 6    | Footboard bolt               |
| 33  | 150.043.00  | 2    | Spacer                       |
| 34  | 080.002.07  | 2    | Grommet                      |
| 35  | 072.087.00  | 4    | Washer                       |
| 36  | 181.338. -- | 1    | Front shield label           |
| 37  | 063.217. -- | 1    | Seat back *                  |

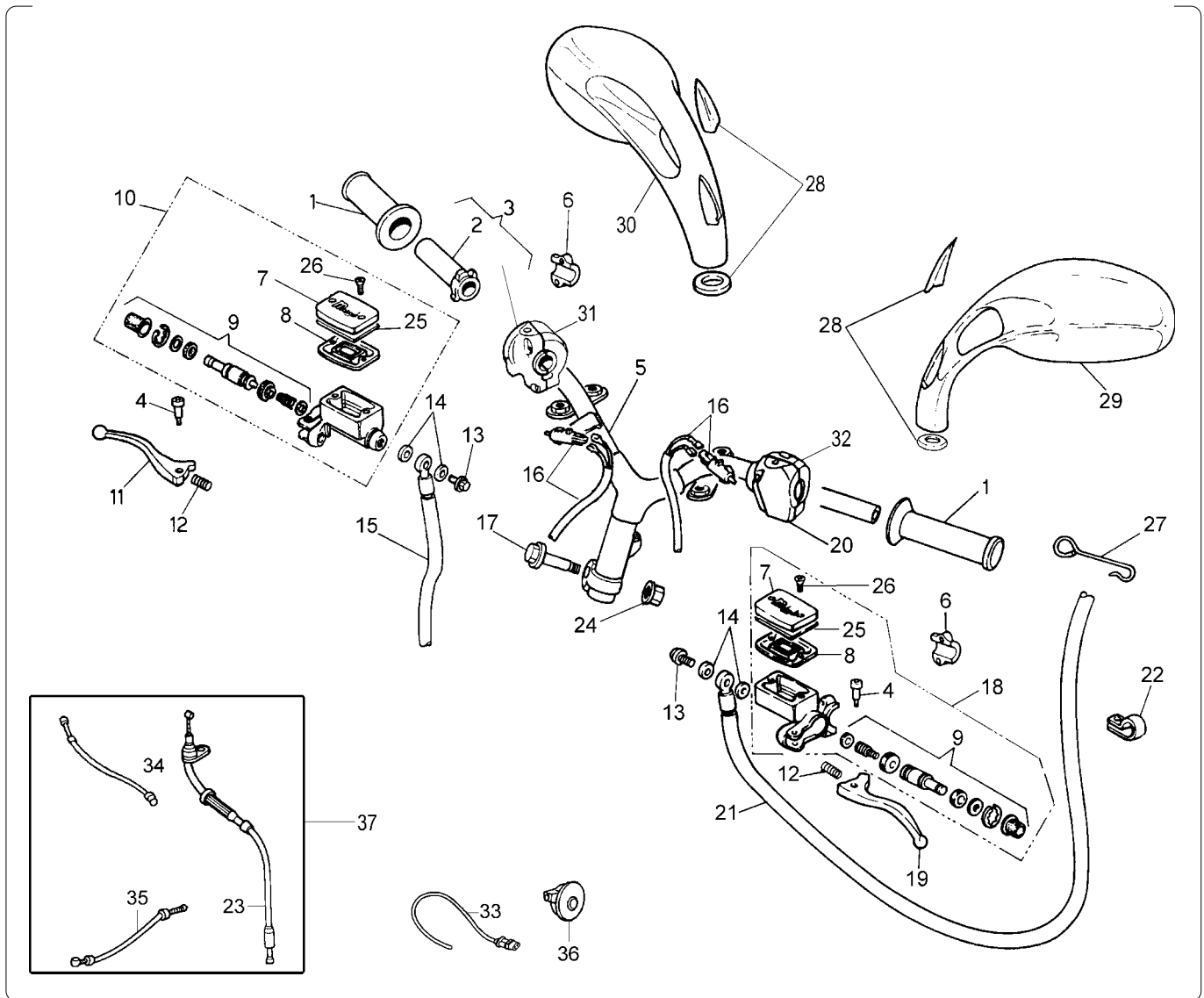
\* Vedi tav. N° OO Colori

\* Refer to N° OO Colour table



| Nr. | Codice     | Q.tà | Descrizione                     |
|-----|------------|------|---------------------------------|
| 1   | 106.092.03 | 1    | Sellone                         |
| 2   | 071.373.00 | 1    | Push-up apertura sella          |
| 3   | 072.061.03 | 1    | Guarnizione sella               |
| 4   | 188.040.99 | 1    | Supporto sella                  |
| 5   | 065.083.03 | 1    | Vano portacasco                 |
| 6   | 150.174.13 | 1    | Tubo fulcro sella               |
| 7   | 190.022.00 | 4    | Vite fissaggio vano porta casco |
| 8   | 090.047.00 | 1    | Serratura sella                 |
| 9   | 150.148.14 | 2    | Boccola                         |
| 10  | 063.216.03 | 1    | Cp. maniglie sella              |

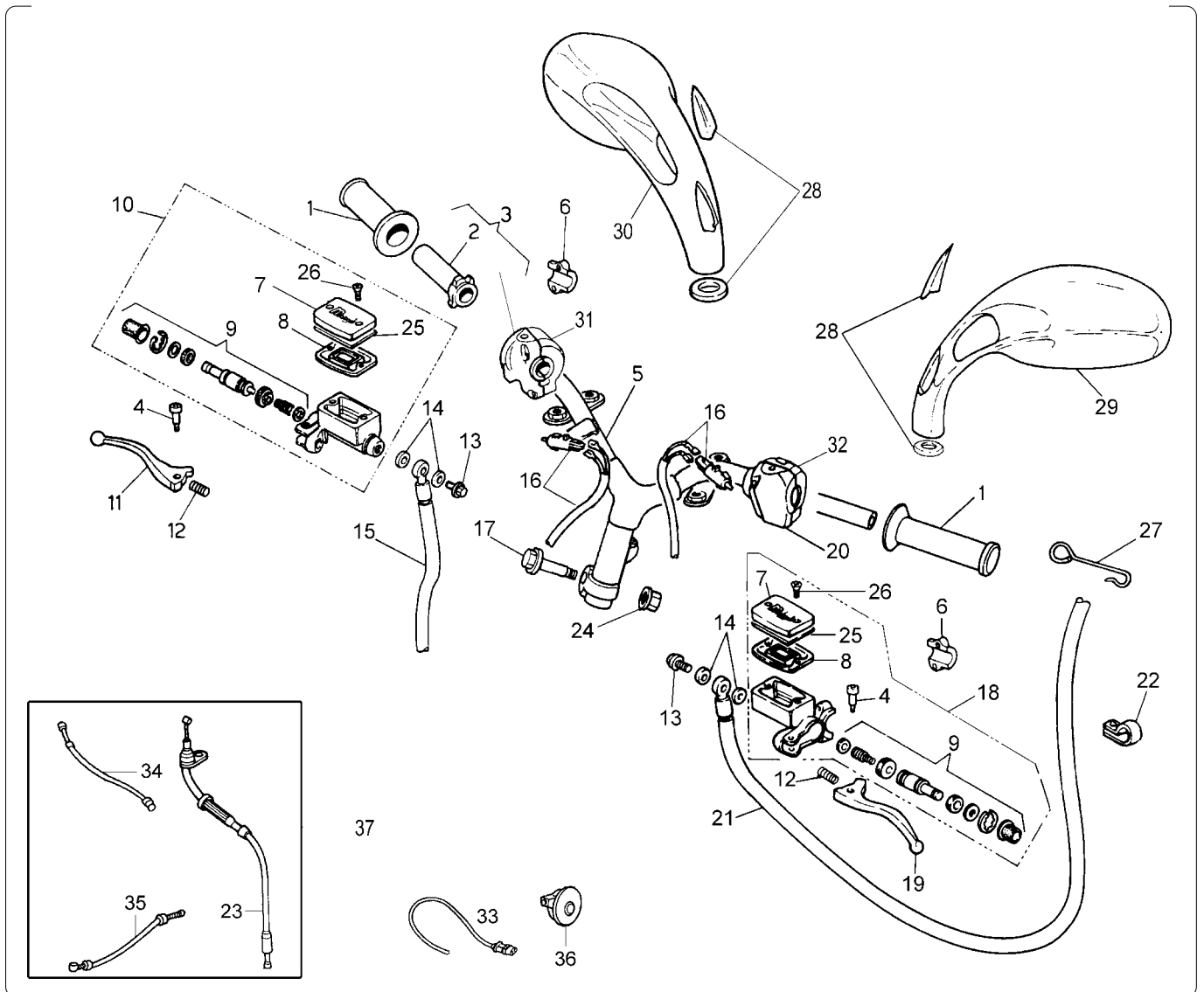
| Nr. | Code       | Q.ty | Description        |
|-----|------------|------|--------------------|
| 1   | 106.092.03 | 1    | Seat               |
| 2   | 071.373.00 | 1    | Seat push-up       |
| 3   | 072.061.03 | 1    | Seat base seal     |
| 4   | 188.040.99 | 1    | Seat hinge bracket |
| 5   | 065.083.03 | 1    | Helmet case        |
| 6   | 150.174.13 | 1    | Seat hinge pin     |
| 7   | 190.022.00 | 4    | Fixing bolt        |
| 8   | 090.047.00 | 1    | Seat lock          |
| 9   | 150.148.14 | 2    | Fixing bolt set    |
| 10  | 063.216.03 | 1    | Handgrip set       |



| Nr. | Codice       | Q.tà | Descrizione                       |
|-----|--------------|------|-----------------------------------|
| 1   | 097.014.03   | 1    | Kit manopole (dx + sx)            |
| 2   | 121.134.00   | 1    | Tubo comando gas                  |
| 3   | 028.018.00   | 1    | Comando gas completo              |
| 4   | 121.106.00   | 2    | Fulcro leva dx                    |
| 5   | 162.032.13   | 1    | Manubrio                          |
| 6   | 121.139.00   | 2    | Attacco pompa                     |
| 7   | 121.127.00   | 2    | Coperchio pompa                   |
| 8   | 121.099.00   | 2    | Guarnizione pompa                 |
| 9   | 121.128.00   | 2    | Pistone completo                  |
| 10  | 030.016.03   | 1    | Pompa freno anteriore             |
| 11  | 121.132.03   | 1    | Leva dx                           |
| 12  | 121.108.00   | 2    | Molla leva freno                  |
| 13  | 150.024.14   | 2    | Vite trasmissione idraulica       |
| 14  | 190.006.00   | 4    | Rasamento                         |
| 15  | 033.035.00   | 1    | Trasmissione idraulica anteriore  |
| 16  | 017.140.00   | 2    | Cablaggio interruttore stop       |
| 17  | 150.179.13   | 1    | Vite fissaggio manubrio           |
| 18  | 030.020.03   | 1    | Pompa freno posteriore            |
| 19  | 121.142.03   | 1    | Leva sx                           |
| 20  | 125.031.00   | 1    | Comando sx completo               |
| 21  | 033.033.00   | 1    | Trasmissione idraulica posteriore |
| 22  | 167.038.00   | 1    | Fascetta trasmissione idraulica   |
| 23  | NONFORNIBILE |      |                                   |
| 24  | 184.056.13   | 1    | Dado fissaggio manubrio           |

| Nr. | Code         | Q.ty | Description                   |
|-----|--------------|------|-------------------------------|
| 1   | 097.014.03   | 1    | Handgrip set (r/h+l/h)        |
| 2   | 121.134.00   | 1    | Throttle twist grip tube      |
| 3   | 028.018.00   | 1    | Twist grip tube & bracket     |
| 4   | 121.106.00   | 2    | R/h lever bolt                |
| 5   | 162.032.13   | 1    | Handlebar                     |
| 6   | 121.139.00   | 2    | Front brake clamp             |
| 7   | 121.127.00   | 2    | Cover                         |
| 8   | 121.099.00   | 2    | Master cylinder seal          |
| 9   | 121.128.00   | 2    | Piston kit                    |
| 10  | 030.016.03   | 1    | Master cylinder assy          |
| 11  | 121.132.03   | 1    | R/h brake lever               |
| 12  | 121.108.00   | 2    | R/h brake lever spring        |
| 13  | 150.024.14   | 2    | Banjo bolt                    |
| 14  | 190.006.00   | 4    | Copper banjo washer           |
| 15  | 033.035.00   | 1    | Front brake hose              |
| 16  | 017.140.00   | 2    | Brake light switch & wire     |
| 17  | 150.179.13   | 1    | Clamp bolt                    |
| 18  | 030.020.03   | 1    | Rear brake pump               |
| 19  | 121.142.03   | 1    | L/h brake lever               |
| 20  | 125.031.00   | 1    | Rear brake control assy (l/h) |
| 21  | 033.033.00   | 1    | Rear brake hose               |
| 22  | 167.038.00   | 1    | Rear brake hose clamp         |
| 23  | NOTAVAILABLE |      |                               |
| 24  | 184.056.13   | 1    | Handlebar fixing clamp nut    |



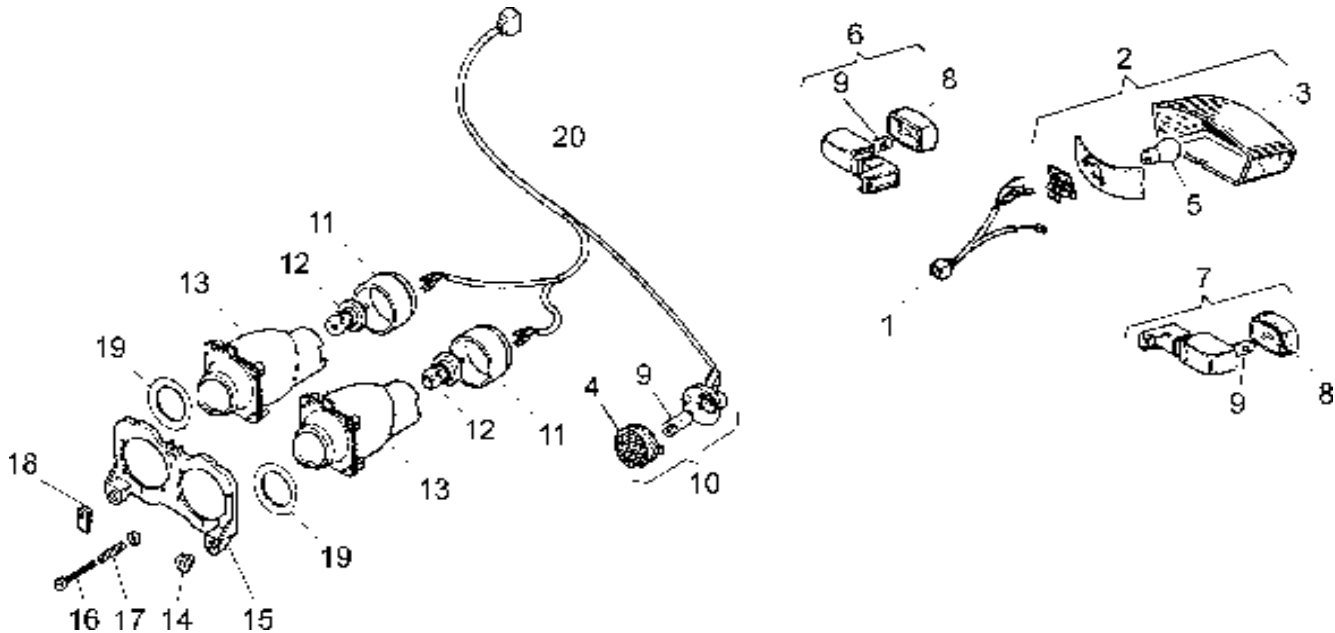


| Nr. | Codice       | Q.tà | Descrizione                             |
|-----|--------------|------|---|
| 25  | 121.141.00   | 2    | Scodellino coperchio pompa              |
| 26  | 184.179.00   | 4    | Vite coperchio pompa                    |
| 27  | 147.113.13   | 1    | Molla trasmissione idraulica            |
| 28  | 071.254.03   | 2    | Kit tappo specchio                      |
| 29  | 088.018. - - | 1    | Specchio sx *                           |
| 30  | 088.019. - - | 1    | Specchio dx * (di serie mercato estero) |
| 31  | 020.047.00   | 1    | Commutatore dx                          |
| 32  | 020.045.00   | 1    | Commutatore sx con MODE                 |
| 33  | 024.073.00   | 1    | Sensore TPS                             |
| 34  | NONFORNIBILE |      |   |
| 35  | NONFORNIBILE |      |   |
| 36  | 178.157.00   | 1    | Rinvio sensore TPS                      |
| 37  | 034.157.03   | 1    | Kit trasmissioni gas                    |

| Nr. | Code          | Q.ty | Description                      |
|-----|---------------|------|----------------------------------|
| 25  | 121.141.00    | 2    | Master cylinder cover seal       |
| 26  | 184.179.00    | 4    | Brake pump cover screw           |
| 27  | 147.113.13    | 1    | Spring                           |
| 28  | 071.254.03    | 2    | Mirror rubber & washer set       |
| 29  | 088.018. - -  | 1    | L/h mirror *                     |
| 30  | 088.019. - -  | 1    | R/h mirror * (originally fitted) |
| 31  | 020.047.00    | 1    | R/h switch                       |
| 32  | 020.045.00    | 1    | L/h switch with MODE control     |
| 33  | 024.073.00    | 1    | TPS sensor                       |
| 34  | NOT AVAILABLE |      |                                  |
| 35  | NOT AVAILABLE |      |                                  |
| 36  | 178.157.00    | 1    | TPS sensor gear                  |
| 37  | 034.157.03    | 1    | Throttle cables kit              |

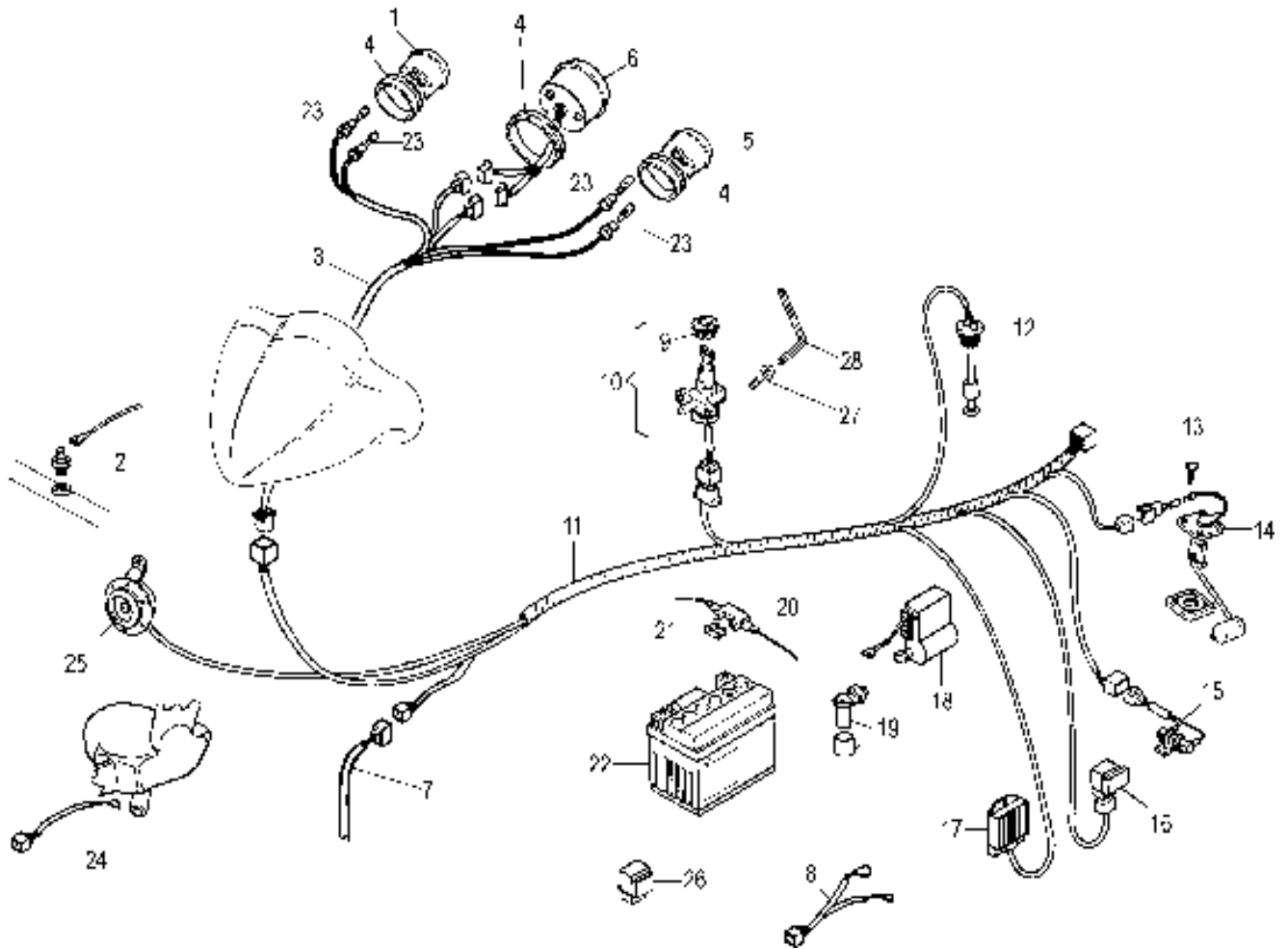
\* Vedi Tav. OO Colori

\* Refer to N° OO Colour table



| Nr. | Codice     | Q.tà | Descrizione                      |
|-----|------------|------|----------------------------------|
| 1   | 017.195.00 | 1    | Cablaggio fanale posteriore      |
| 2   | 016.066.00 | 1    | Fanale posteriore                |
| 3   | 016.069.00 | 1    | Vetro fanale posteriore          |
| 4   | 019.039.00 | 2    | Vetro indicatori anteriore       |
| 5   | 022.048.00 | 1    | Lampadina 12 V - 5-21 W          |
| 6   | 019.075.00 | 1    | Indicatore posteriore dx         |
| 7   | 019.076.00 | 1    | Indicatore posteriore sx         |
| 8   | 019.077.00 | 2    | Vetro indicatori posteriore      |
| 9   | 022.017.00 | 4    | Lampadina 12 V - 10 W            |
| 10  | 019.034.00 | 2    | Indicatori anteriori sx - dx     |
| 11  | 072.069.00 | 2    | Cappuccio faro                   |
| 12  | 022.042.00 | 2    | Lampadina 12 V - 15 W            |
| 13  | 015.051.00 | 2    | Faro anteriore                   |
| 14  | 075.010.00 | 2    | Gommino supporto faro            |
| 15  | 071.194.03 | 1    | Supporto faro anteriore          |
| 16  | 190.004.00 | 1    | Vite regolazione faro            |
| 17  | 147.038.14 | 1    | Molla regolazione faro           |
| 18  | 191.017.13 | 1    | Piastrina regolazione faro       |
| 19  | 071.445.16 | 2    | Anello adattatore faro anteriore |
| 20  | 017.248.00 | 1    | Cablaggio faro anteriore         |

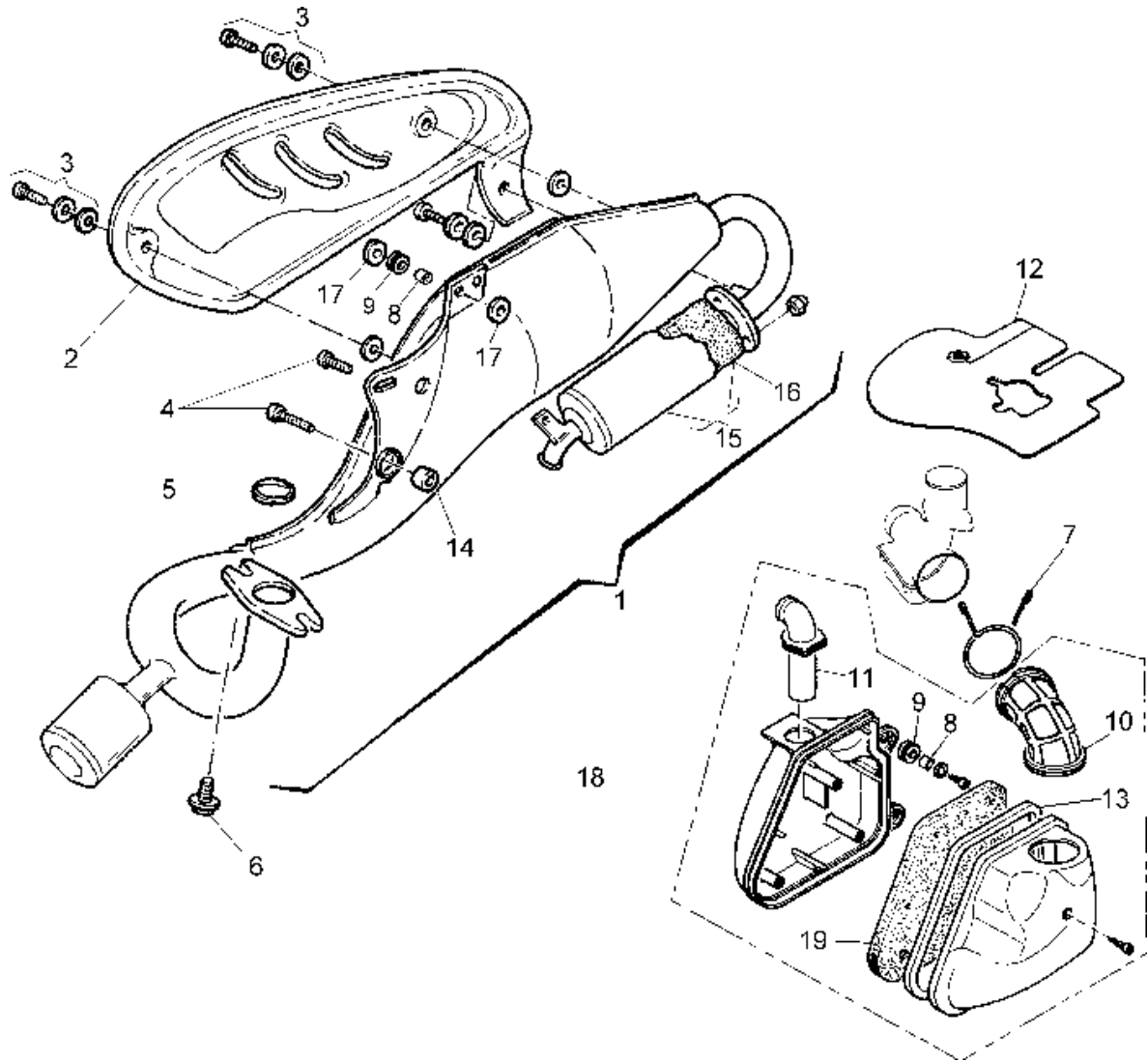
| Nr. | Code       | Q.ty | Description                |
|-----|------------|------|----------------------------|
| 1   | 017.195.00 | 1    | Rear light wiring harness  |
| 2   | 016.066.00 | 1    | Rear light assembly        |
| 3   | 016.069.00 | 1    | Rear light lens            |
| 4   | 019.039.00 | 2    | Front indicators lens      |
| 5   | 022.048.00 | 1    | 12 V - 5-21 W bulb         |
| 6   | 019.075.00 | 1    | R/h rear indicator         |
| 7   | 019.076.00 | 1    | L/h rear indicator         |
| 8   | 019.077.00 | 2    | Rear indicators lens       |
| 9   | 022.017.00 | 4    | 12 V - 10 W bulb           |
| 10  | 019.034.00 | 2    | L/h+r/h front indicators   |
| 11  | 072.069.00 | 2    | Headlamp rubber cap        |
| 12  | 022.042.00 | 2    | 12 V - 15 W bulb           |
| 13  | 015.051.00 | 2    | Head light assy            |
| 14  | 075.010.00 | 2    | Head lamp bracket grommet  |
| 15  | 071.194.03 | 1    | Head lamp bracket          |
| 16  | 190.004.00 | 1    | Head lamp adjusting screw  |
| 17  | 147.038.14 | 1    | Head lamp adjusting spring |
| 18  | 191.017.13 | 1    | Head lamp adjusting plate  |
| 19  | 071.445.16 | 2    | Head lamp adapter ring     |
| 20  | 017.248.00 | 1    | Head lamp wiring harness   |



| Nr. | Codice     | Q.tà | Descrizione                     |
|-----|------------|------|---------------------------------|
| 1   | 178.155.00 | 1    | Orologio spie liquido + luci    |
| 2   | 021.013.00 | 1    | Sonda temperatura acqua         |
| 3   | 017.310.00 | 1    | Cablaggio cruscotto             |
| 4   | 072.059.00 | 1    | Guarnizioni orologi in coppia   |
| 5   | 178.156.00 | 1    | Orologio spie olio + indicatori |
| 6   | 178.154.00 | 1    | Orologio contakm digit          |
| 7   | 178.129.00 | 1    | Trasmissione contakm digit      |
| 8   | 017.226.00 | 1    | Cablaggio batteria              |
| 9   | 071.163.00 | 1    | Ghiera serratura avviamento     |
| 10  | 090.031.00 | 1    | Serratura avviamento            |
| 11  | 017.312.00 | 1    | Cablaggio centrale              |
| 12  | 093.051.00 | 1    | Sonda livello olio              |
| 13  | 184.009.00 | 4    | Viti fissaggio sonda benzina    |
| 14  | 093.046.00 | 1    | Sonda livello benzina           |
| 15  | 025.014.00 | 1    | Resistenza                      |
| 16  | 025.015.00 | 1    | Relais                          |
| 17  | 026.011.00 | 1    | Regolatore di tensione          |
| 18  | 024.033.00 | 1    | Centralina elettronica          |
| 19  | 073.007.00 | 1    | Pipetta candela c/cappuccio     |
| 20  | 025.016.00 | 1    | Portafusibile                   |
| 21  | 025.010.00 | 1    | Fusibile 10 A                   |
| 22  | 074.004.00 | 1    | Batteria 12 V - 4 Ah            |
| 23  | 022.036.00 | 2    | Lampadina 12 V - 1,2 W          |
| 24  | 017.202.00 | 1    | Cablaggio spia livello liquido  |
| 25  | 018.054.00 | 1    | Avvisatore acustico             |

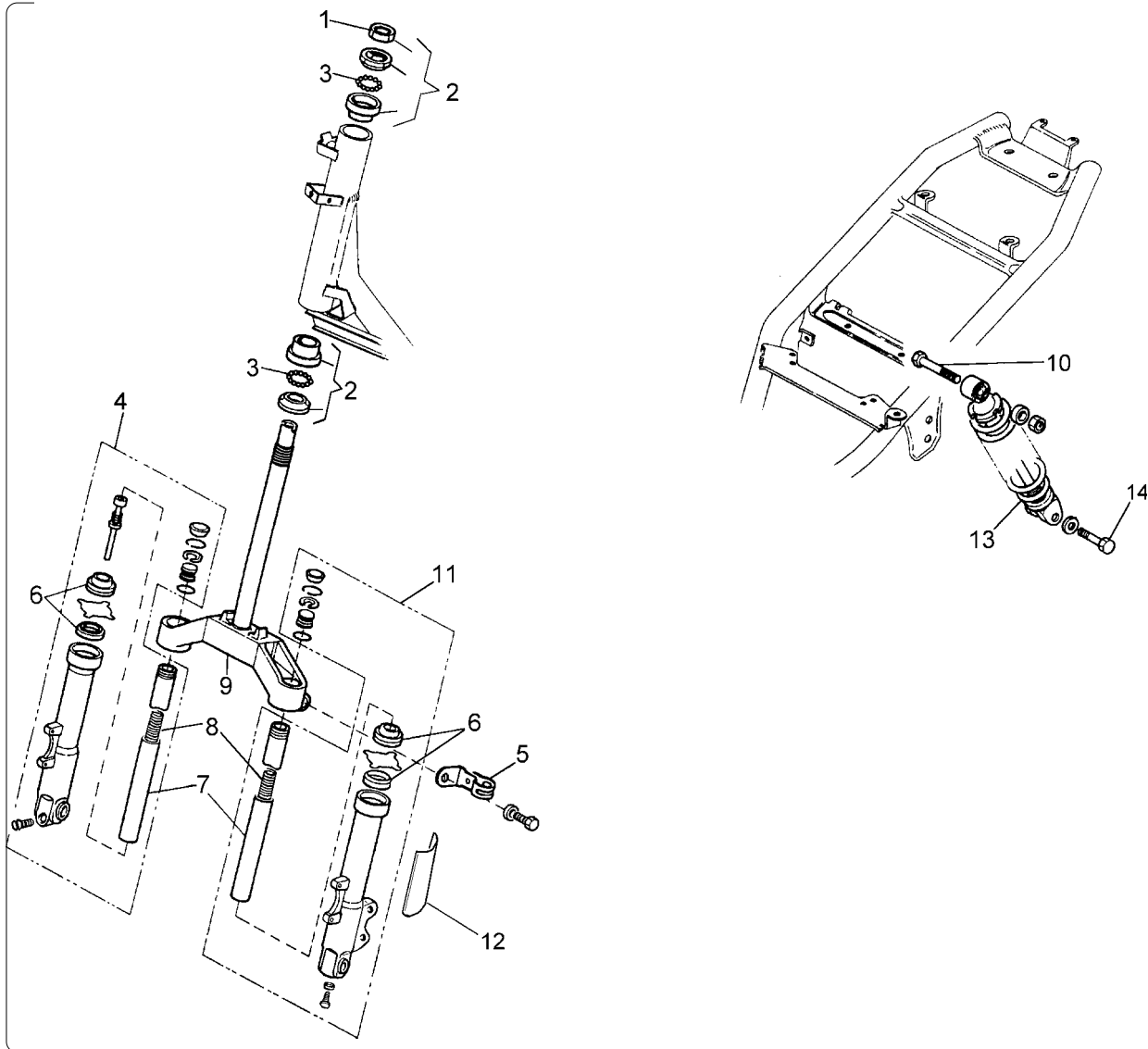
| Nr. | Code       | Q.ty | Description                          |
|-----|------------|------|--------------------------------------|
| 1   | 178.155.00 | 1    | Headlight & coolant indicator        |
| 2   | 021.013.00 | 1    | Water temperature sender             |
| 3   | 017.310.00 | 1    | Dashboard wiring                     |
| 4   | 072.059.00 | 1    | Gasket set                           |
| 5   | 178.156.00 | 1    | Oil mixer & indicators warning light |
| 6   | 178.154.00 | 1    | Digit speedometer                    |
| 7   | 178.129.00 | 1    | Digit speedocable                    |
| 8   | 017.226.00 | 1    | Battery loom                         |
| 9   | 071.163.00 | 1    | Ignition lock rim                    |
| 10  | 090.031.00 | 1    | Ignition barrel                      |
| 11  | 017.312.00 | 1    | Main wiring harness                  |
| 12  | 093.051.00 | 1    | Oil level gauge                      |
| 13  | 184.009.00 | 4    | Fixing screw                         |
| 14  | 093.046.00 | 1    | Fuel level gauge                     |
| 15  | 025.014.00 | 1    | Resistor                             |
| 16  | 025.015.00 | 1    | Relay                                |
| 17  | 026.011.00 | 1    | Regulator                            |
| 18  | 024.033.00 | 1    | CDI                                  |
| 19  | 073.007.00 | 1    | Spark plug cap                       |
| 20  | 025.016.00 | 1    | Fuse holder                          |
| 21  | 025.010.00 | 1    | 10 A fuse                            |
| 22  | 074.004.00 | 1    | 12 V - 4 Ah battery                  |
| 23  | 022.036.00 | 2    | 12 V - 1,2 W bulb                    |
| 24  | 017.202.00 | 1    | Coolant warning light wiring         |
| 25  | 018.054.00 | 1    | Horn                                 |





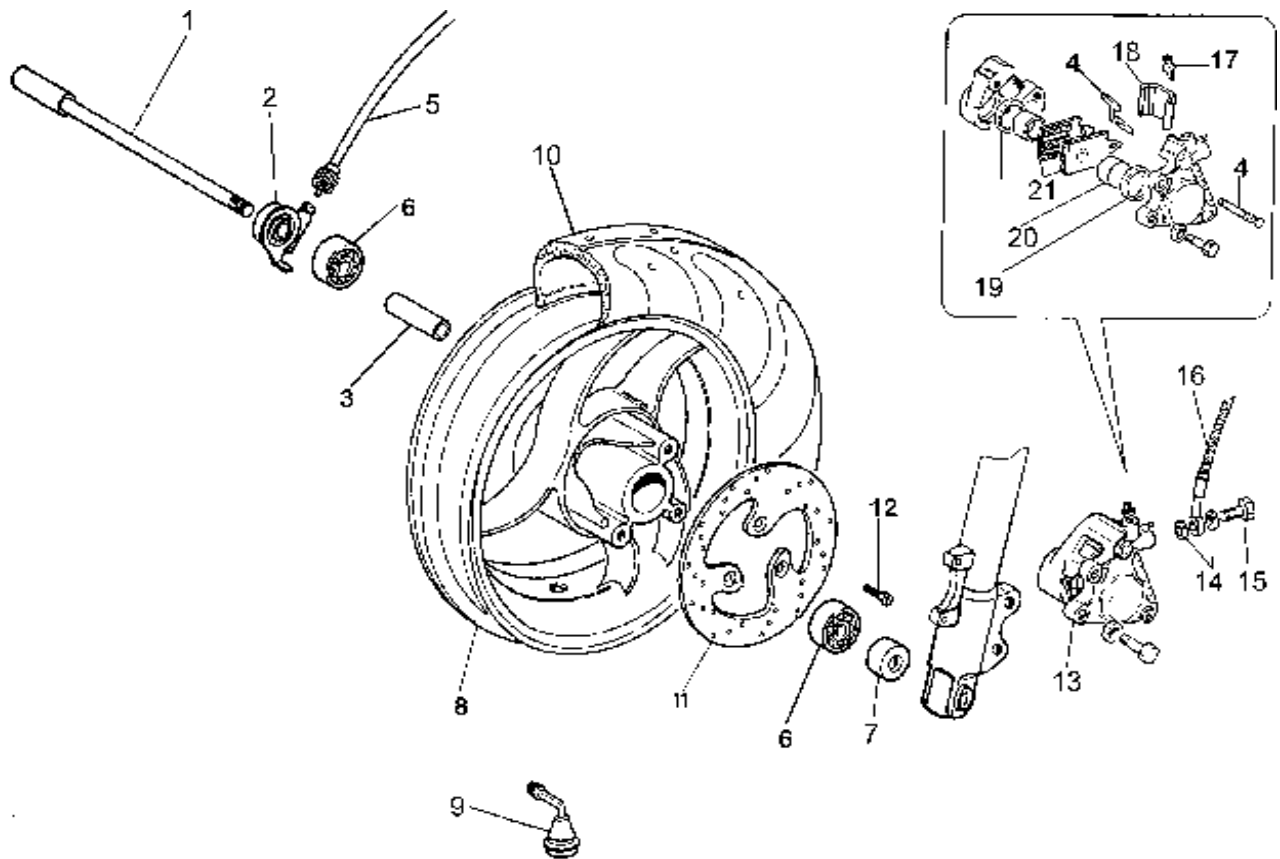
| Nr. | Codice     | Q.tà | Descrizione                   |
|-----|------------|------|-------------------------------|
| 1   | 165.146.99 | 1    | Marmitta completa catalitica  |
| 2   | 071.341.03 | 1    | Protezione marmitta           |
| 3   | 150.200.00 | 1    | Kit viti fissaggio protezione |
| 4   | 184.038.13 | 2    | Vite fissaggio marmitta       |
| 5   | 072.053.00 | 1    | Guarnizione scarico           |
| 6   | 184.006.00 | 2    | Vite fissaggio marmitta       |
| 7   | 147.082.13 | 1    | Molla manicotto aspirazione   |
| 8   | 150.043.00 | 4    | Distanziale                   |
| 9   | 080.002.07 | 4    | Gommino                       |
| 10  | 076.013.00 | 1    | Manicotto aspirazione grande  |
| 11  | 076.012.00 | 1    | Manicotto aspirazione piccolo |
| 12  | 057.033.00 | 1    | Bancalina carburatore         |
| 13  | 072.056.00 | 1    | Guarnizione                   |
| 14  | 075.024.00 | 1    | Silentblock marmitta          |
| 15  | 166.042.08 | 1    | Silenziatore completo kat     |
| 16  | 300.325.00 | 1    | Filtro silenziatore           |
| 17  | 072.087.00 | 4    | Rondella speciale             |
| 18  | 066.058.03 | 1    | Cassetta filtro completa      |
| 19  | 066.045.00 | 1    | Filtro aria                   |

| Nr. | Code       | Q.ty | Description              |
|-----|------------|------|--------------------------|
| 1   | 165.146.99 | 1    | Kat-exhaust assy         |
| 2   | 071.341.03 | 1    | Heat shield              |
| 3   | 150.200.00 | 1    | Fixing screws set        |
| 4   | 184.038.13 | 2    | Exhaust fixing screw     |
| 5   | 072.053.00 | 1    | Exhaust gasket           |
| 6   | 184.006.00 | 2    | Exhaust fixing screw     |
| 7   | 147.082.13 | 1    | Air box hose spring clip |
| 8   | 150.043.00 | 4    | Spacer                   |
| 9   | 080.002.07 | 4    | Grommet                  |
| 10  | 076.013.00 | 1    | Air box/carb. sleeve     |
| 11  | 076.012.00 | 1    | Airbox intake sleeve     |
| 12  | 057.033.00 | 1    | Carburettor cover        |
| 13  | 072.056.00 | 1    | Gasket                   |
| 14  | 075.024.00 | 1    | Exhaust silentblock      |
| 15  | 166.042.08 | 1    | Kat-silencer assy        |
| 16  | 300.325.00 | 1    | Silencer filter          |
| 17  | 072.087.00 | 4    | Washer                   |
| 18  | 066.058.03 | 1    | Air box complete         |
| 19  | 066.045.00 | 1    | Air filter               |



| Nr. | Codice     | Q.tà | Descrizione                          |
|-----|------------|------|--------------------------------------|
| 1   | 185.009.13 | 1    | Ghiera serie sterzo                  |
| 2   | 104.017.00 | 1    | Serie sterzo                         |
| 3   | 120.261.00 | 48   | Sfere                                |
| 4   | 120.317.00 | 1    | Portaruota completo dx               |
| 5   | 147.101.13 | 2    | Molla trasmissione contakm           |
| 6   | 120.312.00 | 2    | Kit parapolvere - paraolio - gommini |
| 7   | 120.302.00 | 2    | Canna dx + sx                        |
| 8   | 120.305.00 | 2    | Molla                                |
| 9   | 120.301.99 | 1    | Testa croce                          |
| 10  | 184.033.13 | 1    | Vite fissaggio ammortizzatore sup.   |
| 11  | 120.358.00 | 1    | Portaruota completo sx               |
| 12  | 181.123.08 | 1    | Etichetta adesiva foderi dx + sx     |
| 13  | 010.034.08 | 1    | Ammortizzatore                       |
| 14  | 184.038.13 | 1    | Vite fissaggio ammortizzatore inf.   |
| --  | 013.046.50 | 1    | Forcella completa                    |

| Nr. | Code       | Q.ty | Description              |
|-----|------------|------|--------------------------|
| 1   | 185.009.13 | 1    | Steering head nut        |
| 2   | 104.017.00 | 1    | Steering head cap set    |
| 3   | 120.261.00 | 48   | Steering ball cages      |
| 4   | 120.317.00 | 1    | R/h fork leg assy        |
| 5   | 147.101.13 | 2    | Fork leg brake hose clip |
| 6   | 120.312.00 | 2    | Fork bush/oil seal       |
| 7   | 120.302.00 | 2    | R/h-l/h tube             |
| 8   | 120.305.00 | 2    | R/h-l/h tube spring      |
| 9   | 120.301.99 | 1    | Bottom yoke              |
| 10  | 184.033.13 | 1    | Fixing screw             |
| 11  | 120.358.00 | 1    | L/h fork leg assy        |
| 12  | 181.123.08 | 1    | Tube cover label         |
| 13  | 010.034.08 | 1    | Rear shock absorber      |
| 14  | 184.038.13 | 1    | Fixing screw             |
| --  | 013.046.50 | 1    | Front fork assy          |

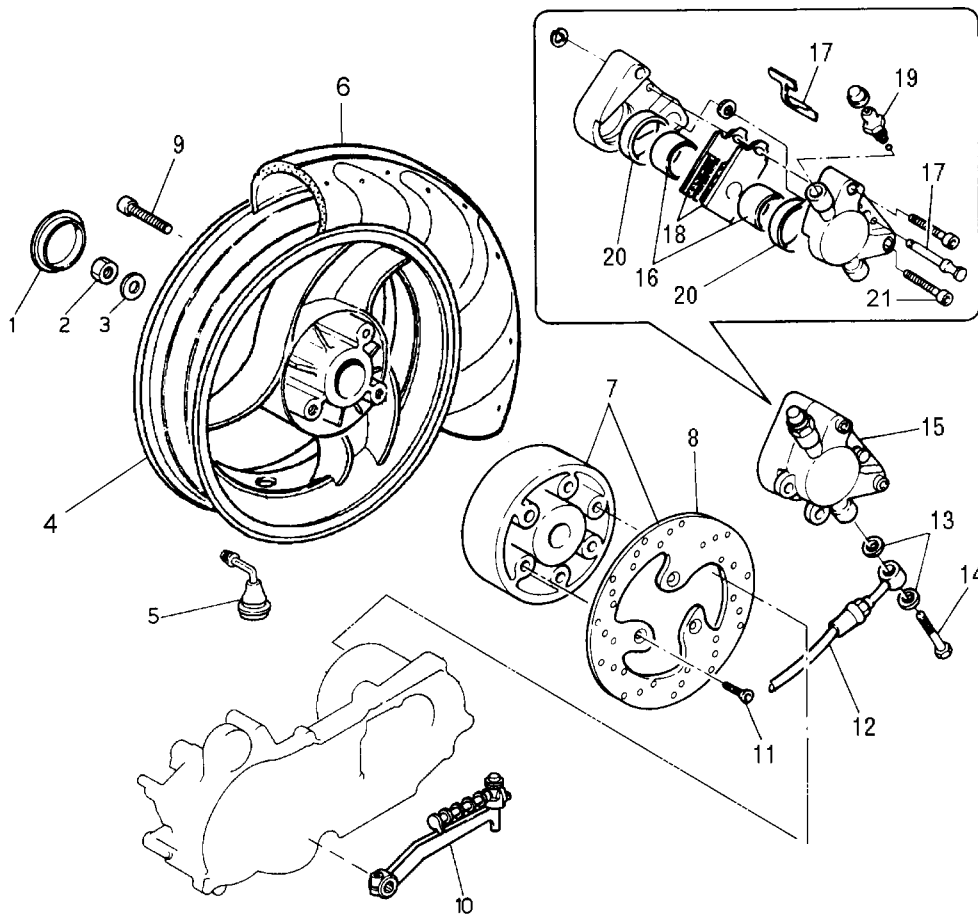


| Nr. | Codice       | Q.tà | Descrizione                    |
|-----|--------------|------|--------------------------------|
| 1   | 119.443.00   | 1    | Perno ruota                    |
| 2   | 178.126.00   | 1    | Rinvio kontakm digit           |
| 3   | 119.456.00   | 1    | Distanziale interno            |
| 4   | 119.457.00   | 1    | Kit perno + molla              |
| 5   | 178.129.00   | 1    | Trasmissione kontakm digit     |
| 6   | 119.411.00   | 2    | Cuscinetto                     |
| 7   | 119.432.00   | 1    | Distanziale                    |
| 8   | 109.053. - - | 1    | Ruota anteriore tubeless *     |
| 9   | 094.008.00   | 1    | Valvola tubeless               |
| 10  | 050.032.00   | 1    | Copertura 120/70 - 12 tubeless |
| 11  | 119.465.00   | 1    | Disco freno                    |
| 12  | 184.287.00   | 3    | Vite fissaggio disco           |
| 13  | 031.019. - - | 1    | Pinza freno *                  |
| 14  | 190.006.00   | 2    | Rasamento                      |
| 15  | 150.024.14   | 1    | Vite trasmissione idraulica    |
| 16  | 033.035.00   | 1    | Trasmissione idraulica         |
| 17  | 119.436.00   | 1    | Vite spurgo                    |
| 18  | 119.434.00   | 1    | Cuffia                         |
| 19  | 119.440.00   | 1    | Serie anelli di tenuta         |
| 20  | 119.435.00   | 1    | Pistone pinza                  |
| 21  | 119.502.00   | 1    | Pastiglie freno                |

\* Specificare colore

| Nr. | Code         | Q.ty | Description               |
|-----|--------------|------|---------------------------|
| 1   | 119.443.00   | 1    | Front wheel spindle       |
| 2   | 178.126.00   | 1    | Digit speedo drive        |
| 3   | 119.456.00   | 1    | Spacer                    |
| 4   | 119.457.00   | 1    | Support pads set          |
| 5   | 178.129.00   | 1    | Digit speedocable         |
| 6   | 119.411.00   | 2    | Bearing                   |
| 7   | 119.432.00   | 1    | Spacer                    |
| 8   | 109.053. - - | 1    | Tubeless front wheel *    |
| 9   | 094.008.00   | 1    | Wheel valve               |
| 10  | 050.032.00   | 1    | Tyre 120/70 - 12 tubeless |
| 11  | 119.465.00   | 1    | Front brake disc          |
| 12  | 184.287.00   | 3    | Brake disc mounting screw |
| 13  | 031.019. - - | 1    | Front brake caliper       |
| 14  | 190.006.00   | 2    | Copper banjo washer       |
| 15  | 150.024.14   | 1    | Banjo bolt                |
| 16  | 033.035.00   | 1    | Front brake hose          |
| 17  | 119.436.00   | 1    | Screw                     |
| 18  | 119.434.00   | 1    | Brake pad cover           |
| 19  | 119.440.00   | 1    | Seal ring set             |
| 20  | 119.435.00   | 1    | Front brake piston        |
| 21  | 119.502.00   | 1    | Brake pads set            |

\* To be completed with colour code

**Ruota posteriore e impianto frenante**  
**Rear wheel & brake system**


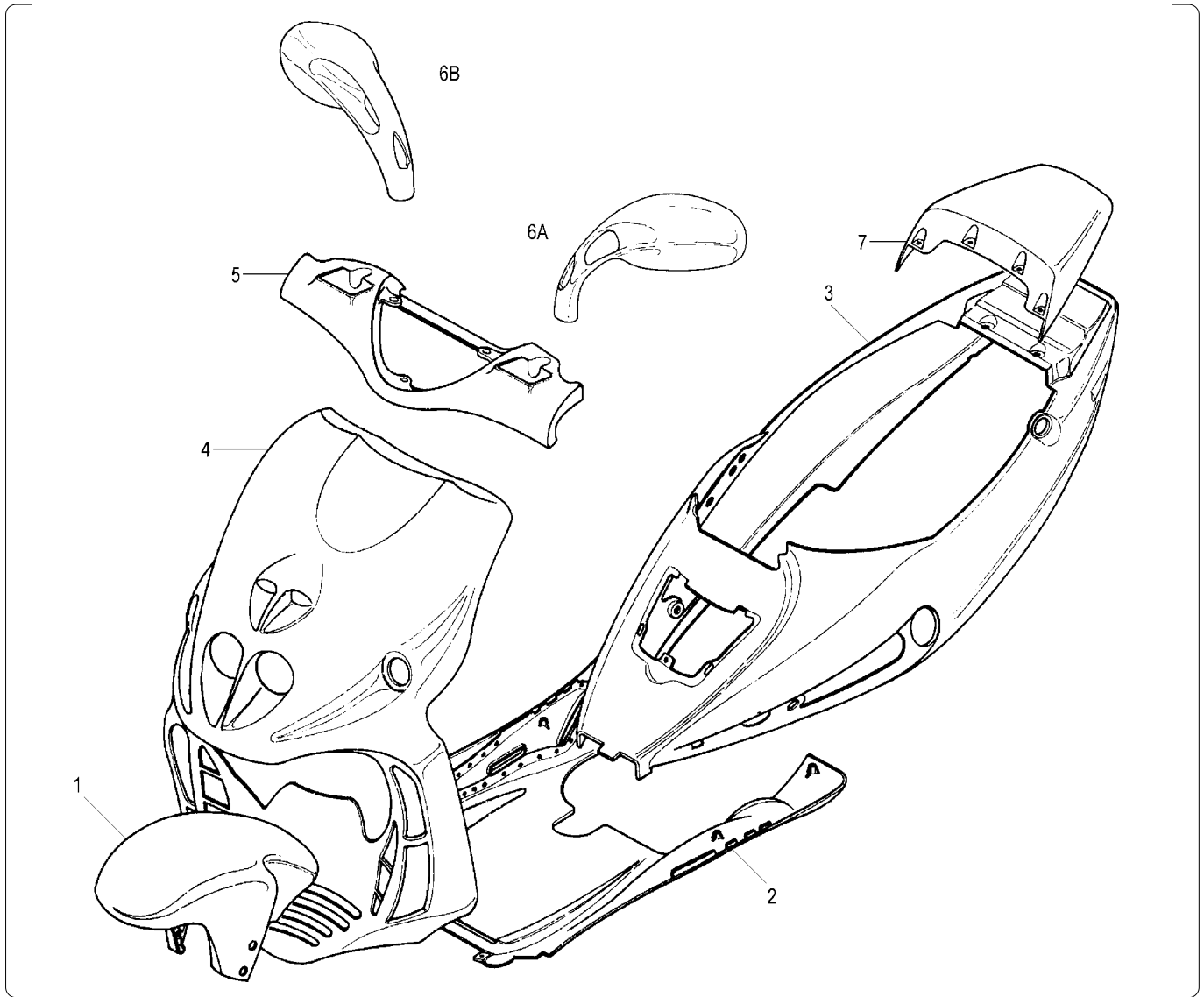
| Nr. | Codice       | Q.tà | Descrizione                     |
|-----|--------------|------|---------------------------------|
| 1   | 071.198.03   | 1    | Tappo ruota                     |
| 2   | 185.010.00   | 1    | Dado ruota posteriore           |
| 3   | 119.224.00   | 1    | Rondella                        |
| 4   | 110.051. - - | 1    | Ruota posteriore tubeless *     |
| 5   | 094.008.00   | 1    | Valvola tubeless                |
| 6   | 050.033.00   | 1    | Copertura 130/70 - 12" tubeless |
| 7   | 114.010.00   | 1    | Mozzo completo di disco freno   |
| 8   | 119.430.00   | 1    | Disco freno                     |
| 9   | 184.166.13   | 3    | Vite fissaggio ruota            |
| 10  | 081.009.03   | 1    | Leva messa in moto              |
| 11  | 184.287.00   | 3    | Vite fissaggio disco            |
| 12  | 033.033.00   | 1    | Trasmissione idraulica          |
| 13  | 190.006.00   | 2    | Rasamento                       |
| 14  | 150.024.14   | 1    | Vite trasmissione idraulica     |
| 15  | 031.022. - - | 1    | Pinza freno *                   |
| 16  | 119.462.00   | 1    | Kit pistoncini                  |
| 17  | 119.459.00   | 1    | Kit perno + molla               |
| 18  | 119.502.00   | 1    | Pastiglie freno                 |
| 19  | 119.279.00   | 1    | Vite spurgo                     |
| 20  | 119.460.00   | 1    | Kit anelli di tenuta            |
| 21  | 184.248.01   | 2    | Viti unione corpo pinza         |

| Nr. | Code         | Q.ty | Description                |
|-----|--------------|------|----------------------------|
| 1   | 071.198.03   | 1    | Hub cap                    |
| 2   | 185.010.00   | 1    | Rear wheel nut             |
| 3   | 119.224.00   | 1    | Washer                     |
| 4   | 110.051. - - | 1    | Tubeless rear wheel assy * |
| 5   | 094.008.00   | 1    | Wheel valve                |
| 6   | 050.033.00   | 1    | Tyre 130/70 - 12" tubeless |
| 7   | 114.010.00   | 1    | Rear hub assy              |
| 8   | 119.430.00   | 1    | Disc brake                 |
| 9   | 184.166.13   | 3    | Wheel fixing screw         |
| 10  | 081.009.03   | 1    | Kick starter lever         |
| 11  | 184.287.00   | 3    | Disc brake fixing screw    |
| 12  | 033.033.00   | 1    | Brake hose                 |
| 13  | 190.006.00   | 2    | Copper banjo washer        |
| 14  | 150.024.14   | 1    | Brake hose screw           |
| 15  | 031.022. - - | 1    | Rear disc caliper *        |
| 16  | 119.462.00   | 1    | Piston kit                 |
| 17  | 119.459.00   | 1    | Bolt & clip set            |
| 18  | 119.502.00   | 1    | Brake pads                 |
| 19  | 119.279.00   | 1    | Screw                      |
| 20  | 119.460.00   | 1    | Seal ring set              |
| 21  | 184.248.01   | 2    | Screw                      |

\* Specificare colore

\*To be completed with colour code

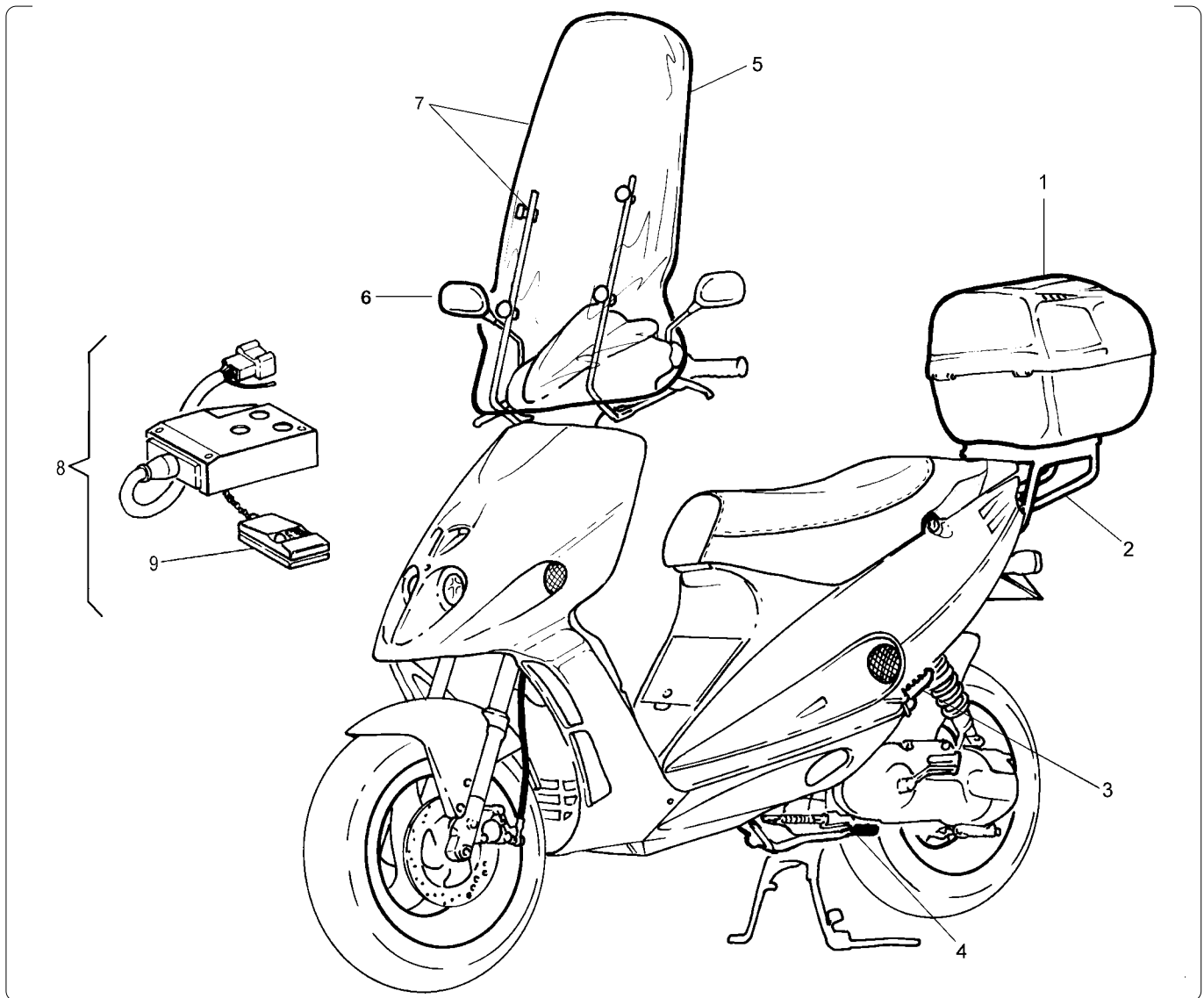




### TABELLA COLORI - COLOUR CODES

#### Colori - Colours

| N°<br>Nr. | Codice<br>Code | 50<br>BluNotte-Titanio<br>DarkB.-Titanium | 55<br>Spectrum<br>Spectrum | 59<br>Rosso Corsa<br>Racing Red | 70<br>Giallo<br>Yellow | 87<br>Argento Lucido<br>Bright Silver | 98<br>Titanio<br>Titanium |  |  |
|-----------|----------------|---|----------------------------|---------------------------------|------------------------|---------------------------------------|---------------------------|--|--|
| 1         | 055.058.       | 98  | 93                         | 59                              | 70                     | 87                                    | 98                        |  |  |
| 2         | 063.102.       | 98  | 55                         | 71                              | 70                     | 87                                    | 98                        |  |  |
| 3         | 063.210.       | 94  | 55                         | 59                              | 70                     | 87                                    | 98                        |  |  |
| 4         | 066.085.       | 50  | 55                         | 59                              | 70                     | 87                                    | 98                        |  |  |
| 5         | 071.291.       | 94  | 58                         | 71                              | 70                     | 87                                    | 98                        |  |  |
| 6 A       | 088.018.       | 94  | 58                         | 71                              | 70                     | 87                                    | 98                        |  |  |
| 6 B       | 088.019.       | 94  | 58                         | 71                              | 70                     | 87                                    | 98                        |  |  |
| 7         | 063.217.       | 94  | 93                         | 59                              | 70                     | 87                                    | 98                        |  |  |
| --        | 181.303.       | 01  | --                         | 00                              | 00                     | 01                                    | 01                        |  |  |
| --        | 181.322.       | --  | 00                         | --                              | --                     | --                                    | --                        |  |  |



| Nr. | Codice      | Q.tà | Descrizione                             |
|-----|-------------|------|---|
| 1   | 065.072.03  | 1    | Baulone porta casco                     |
| 2   | 173.048.00  | 1    | Portapacco completo                     |
| 3   | 084.033.00  | 1    | Staffe poggiapiedi                      |
| 4   | 159.034.99  | 1    | Cavalletto laterale                     |
| 5   | 063.145.00  | 1    | Lastra parabrezza                       |
| 6   | 088.019. -- | 1    | Specchio dx * (di serie mercato estero) |
| 7   | 063.108.00  | 1    | Parabrezza completo                     |
| 8   | 018.078.00  | 1    | Antifurto elettronico                   |
| 9   | 018.079.00  | 1    | Radiocomando                            |
| --  | 065.027.00  | 1    | Coprimoto scooter standard              |
| --  | 065.077.00  | 1    | Coprimoto scooter con accessori         |
| --  | 147.112.13  | 1    | Molla cavalletto laterale               |

| Nr. | Code        | Q.ty | Description                      |
|-----|-------------|------|----------------------------------|
| 1   | 065.072.03  | 1    | Top case                         |
| 2   | 173.048.00  | 1    | Rear carrier                     |
| 3   | 084.033.00  | 1    | Passenger footrests              |
| 4   | 159.034.99  | 1    | Side stand                       |
| 5   | 063.145.00  | 1    | Windscreen glass                 |
| 6   | 088.019. -- | 1    | R/h mirror * (originally fitted) |
| 7   | 063.108.00  | 1    | Windscreen                       |
| 8   | 018.078.00  | 1    | Alarm complete                   |
| 9   | 018.079.00  | 1    | Remote control                   |
| --  | 065.027.00  | 1    | Scooter canvas cover             |
| --  | 065.077.00  | 1    | Accessoried scooter canvas cover |
| --  | 147.112.13  | 1    | Side stand spring                |

\* Vedi tav. N° OO Colori

\* Refer to N° OO Colour table

| Nr.  | Codice     | Q.tà | Descrizione                                 | Nr.  | Code       | Q.ty | Description                       |
|------|------------|------|---|------|------------|------|-----------------------------------|
| 15   | 715.100.00 | 1    | Carburatore Gurtner PY 12 / R 437           | 15   | 715.100.00 | 1    | Carburettor Gurtner PY 12 / R 437 |
| 19   | 771.146.00 | 1    | Cilindro acqua F12                          | 19   | 771.146.00 | 1    | Cylinder assy                     |
| 48   | 024.044.00 | 1    | Motorino avviamento                         | 48   | 024.044.00 | 1    | Starter motor                     |
| 62   | 771.144.00 | 1    | Pistone Ø 40 acqua                          | 62   | 771.144.00 | 1    | Piston assy Ø 40                  |
| 77   | 777.017.00 | 1    | Testa con resche con tappo                  | 77   | 777.017.00 | 1    | Head assy                         |
| 82   | 782.021.00 | 1    | Volano magnete                              | 82   | 782.021.00 | 1    | Magneto flywheel assy             |
| 111  | 711.008.00 | 1    | Candela con resistore                       | 111  | 711.008.00 | 1    | Spark plug                        |
| 172  | 717.003.00 | 1    | Cinghia di trasmissione                     | 172  | 717.003.00 | 1    | V- belt                           |
| 212  | 721.078.00 | 1    | Coperchio frizione ventilato completo       | 212  | 721.078.00 | 1    | Clutch cover                      |
| 213  | 721.056.00 | 1    | Coperchio trasmissione                      | 213  | 721.056.00 | 1    | Gear group cover                  |
| 214  | 721.059.00 | 1    | Coperchio lato volano con supporto pompa    | 214  | 721.059.00 | 1    | Cover                             |
| 219  | 721.060.00 | 1    | Coperchio pompa olio con gommini            | 219  | 721.060.00 | 1    | Oil pump cover                    |
| 381  | 771.162.00 | 1    | Imbiellaggio                                | 381  | 771.162.00 | 1    | Crankshaft                        |
| 382  | 771.118.00 | 1    | Biella completa                             | 382  | 771.118.00 | 1    | Connecting rod                    |
| 601  | 760.043.00 | 1    | Puleggia anteriore fissa                    | 601  | 760.043.00 | 1    | Primary fixed pulley              |
| 604  | 760.059.00 | 1    | Puleggia anteriore mobile con boccola       | 604  | 760.059.00 | 1    | Primary pulley                    |
| 606  | 760.062.00 | 1    | Collettore aspirazione                      | 606  | 760.062.00 | 1    | Intake manifold                   |
| 641  | 764.011.00 | 1    | Pompa olio completa                         | 641  | 764.011.00 | 1    | Oil pump assy                     |
| 681  | 771.142.00 | 1    | Serie segmenti Ø 40                         | 681  | 771.142.00 | 1    | Piston ring set Ø 40              |
| 701  | 770.022.00 | 1    | Coppia carter                               | 701  | 770.022.00 | 1    | Crankcase assy                    |
| 912  | 701.044.00 | 1    | Albero messa in moto                        | 912  | 701.044.00 | 1    | Kick start shaft                  |
| 914  | 701.051.00 | 1    | Albero uscita moto completo Z=43            | 914  | 701.051.00 | 1    | Drive shaft assy Z=43             |
| 916  | 701.058.00 | 1    | Albero trasmissione Z=13                    | 916  | 701.058.00 | 1    | Gear shaft Z=13                   |
| 2118 | 721.077.00 | 1    | Convogliatore uscita aria rosso             | 2118 | 721.077.00 | 1    | Air shroud (red)                  |
| 2119 | 071.393.03 | 1    | Convogliatore entrata aria nero             | 2119 | 071.393.03 | 1    | Cover (black)                     |
| 2436 | 724.054.00 | 2    | Gommino chiusura fori carter                | 2436 | 724.054.00 | 2    | Rubber cover                      |
| 2448 | 724.055.00 | 3    | Gommino perno traino pompa                  | 2448 | 724.055.00 | 3    | Grommet                           |
| 2479 | 724.075.00 | 1    | Gommino silent-block carter                 | 2479 | 724.075.00 | 1    | Rubber                            |
| 2485 | 724.052.00 | 1    | Raccordo plastica sfiato olio               | 2485 | 724.052.00 | 1    | Oil breather pipe                 |
| 2492 | 724.048.00 | 1    | Tappo alimentazione olio                    | 2492 | 724.048.00 | 1    | Oil plug                          |
| 2493 | 724.049.00 | 3    | Tassello di traino                          | 2493 | 724.049.00 | 3    | Dowels                            |
| 2497 | 724.056.00 | 1    | Tubo acqua pompa-cilindro                   | 2497 | 724.056.00 | 1    | Water pump hose                   |
| 2601 | 726.048.00 | 1    | Campana frizione completa                   | 2601 | 726.048.00 | 1    | Clutch housing                    |
| 2626 | 726.018.00 | 1    | Puleggia secondaria fissa completa          | 2626 | 726.018.00 | 1    | Secondary fixed pulley            |
| 2627 | 726.019.00 | 1    | Puleggia secondaria mobile completa         | 2627 | 726.019.00 | 1    | Secondary pulley                  |
| 2642 | 726.045.00 | 1    | Cappellotto porta tasselli                  | 2642 | 726.045.00 | 1    | Dowelholder cap                   |
| 2664 | 726.021.00 | 1    | Piastrina ritegno paraolio                  | 2664 | 726.021.00 | 1    | Plate                             |
| 2665 | 726.022.00 | 1    | Piastrina ingranaggio doppio intermedio E/S | 2665 | 726.022.00 | 1    | Idle gear plate                   |
| 2667 | 726.023.00 | 1    | Piastrina traino puleggia anteriore fissa   | 2667 | 726.023.00 | 1    | Drive pulley lock washer          |
| 2669 | 726.044.00 | 1    | Piastra coperchio frizione                  | 2669 | 726.044.00 | 1    | Cover                             |
| 2688 | 726.026.00 | 1    | Scodellino dentato messa in moto            | 2688 | 726.026.00 | 1    | Drive plate                       |

| Nr.  | Codice     | Q.tà | Descrizione                                 |
|------|------------|------|---|
| 2689 | 726.025.00 | 1    | Scodellino porta molla variatore            |
| 3135 | 731.009.00 | 1    | Elemento filtrante                          |
| 3520 | 735.038.00 | 1    | Frizione centrifuga completa                |
| 4040 | 740.142.00 | 1    | Ingranaggio doppio intermedio Z=14/52       |
| 4041 | 740.121.00 | 1    | Ingranaggio doppio intermedio E/S c/boccola |
| 4043 | 740.122.00 | 1    | Corona avviamento elettrico Z=71            |
| 4048 | 740.123.00 | 1    | Ingranaggio conduttore pompa olio           |
| 4066 | 740.124.00 | 1    | Ingranaggio scorrevole messa in moto        |
| 4085 | 740.125.00 | 1    | Ruota libera completa                       |
| 4618 | 746.039.00 | 1    | Molla puleggia secondaria mobile            |
| 4626 | 746.044.00 | 1    | Molla scorrevole messa in moto              |
| 4645 | 746.059.00 | 3    | Molla richiamo ceppi frizione               |
| 4665 | 746.042.00 | 1    | Molla ritorno leva messa in moto            |
| 4680 | 746.045.00 | 1    | Molla a disco ingranaggio doppio intermedio |
| 5104 | 751.084.00 | 1    | Distanziale Ø 18x23x6.5                     |
| 5105 | 751.041.00 | 1    | Boccola albero messa in moto Ø 15x20x30     |
| 5108 | 751.042.00 | 1    | Boccola flangiata corona E/S                |
| 5113 | 751.043.00 | 1    | Gabbia KBK Ø 10x14x12,5 spinotto            |
| 5127 | 751.081.00 | 1    | Boccola puleggia anteriore mobile           |
| 5148 | 104.028.00 | 1    | Cuscinetto Ø 17x40x12                       |
| 5150 | 751.046.00 | 1    | Cuscinetto Ø 17x40x12 (6203)                |
| 5151 | 751.047.00 | 2    | Cuscinetto Ø 10x30x9                        |
| 5179 | 751.072.00 | 2    | Cuscinetto Ø 17x35x10 (6003/2RS)            |
| 5305 | 753.158.00 | 2    | Anello di tenuta OR Ø 36x1                  |
| 5315 | 753.105.00 | 1    | Anello di tenuta OR Ø 13.3x2.4              |
| 5320 | 753.129.00 | 1    | Guarnizione base cilindro                   |
| 5327 | 753.120.00 | 1    | Guarnizione coperchio messa in moto         |
| 5328 | 753.121.00 | 1    | Guarnizione coperchio trasmissione          |
| 5339 | 753.109.00 | 1    | Guarnizione statore volano                  |
| 5347 | 753.110.00 | 1    | Guarnizione valvola lamelle                 |
| 5359 | 753.112.00 | 1    | Guarnizione vite scarico olio               |
| 5384 | 753.034.00 | 1    | Paraolio Ø 10x18x4 G101840                  |
| 5602 | 756.085.00 | 6    | Massa centrifuga foro Ø 9.8                 |
| 5603 | 756.078.00 | 1    | Perno pompa acqua con girante               |
| 5612 | 756.080.00 | 1    | Termostato                                  |
| 5615 | 756.029.00 | 2    | Grano riferimento carter                    |
| 5616 | 756.030.00 | 4    | Grano riferimento coperchi                  |
| 5640 | 756.070.00 | 2    | Perno Ø 8x32                                |
| 5653 | 756.079.00 | 3    | Perno traino girante pompa                  |
| 5661 | 756.024.00 | 1    | Rullo ingranaggio condotto pompa RV4        |
| 5662 | 756.071.00 | 1    | Rullo Ø 3x11.8                              |
| 5668 | 756.099.00 | 2    | Rullino guida variatore                     |
| 5670 | 756.073.00 | 1    | Spinotto Ø10x33                             |

| Nr.  | Code       | Q.ty | Description                      |
|------|------------|------|----------------------------------|
| 2689 | 726.025.00 | 1    | Spring holder                    |
| 3135 | 731.009.00 | 1    | Filtering part                   |
| 3520 | 735.038.00 | 1    | Clutch assy                      |
| 4040 | 740.142.00 | 1    | Idle gear assy Z=14/52           |
| 4041 | 740.121.00 | 1    | Idle gear assy E/S               |
| 4043 | 740.122.00 | 1    | Kick star sprocket Z=71          |
| 4048 | 740.123.00 | 1    | Pump drive gear                  |
| 4066 | 740.124.00 | 1    | Kick start pinion gear           |
| 4085 | 740.125.00 | 1    | Free wheel assy                  |
| 4618 | 746.039.00 | 1    | Secondary pulley spring          |
| 4626 | 746.044.00 | 1    | Kick start thrust spring         |
| 4645 | 746.059.00 | 3    | Clutch pads spring               |
| 4665 | 746.042.00 | 1    | Kick start return spring         |
| 4680 | 746.045.00 | 1    | Idle gear spring                 |
| 5104 | 751.084.00 | 1    | Spacer Ø 18x23x6.5               |
| 5105 | 751.041.00 | 1    | Kick start shaft bush Ø 15x20x30 |
| 5108 | 751.042.00 | 1    | Bush                             |
| 5113 | 751.043.00 | 1    | Cage KBK Ø 10x14x12,5            |
| 5127 | 751.081.00 | 1    | Primary pulley bush              |
| 5148 | 104.028.00 | 1    | Bearing Ø 17x40x12               |
| 5150 | 751.046.00 | 1    | Bearing Ø 17x40x12 (6203)        |
| 5151 | 751.047.00 | 2    | Bearing Ø 10x30x9                |
| 5179 | 751.072.00 | 2    | Bearing Ø 17x35x10 (6003/2RS)    |
| 5305 | 753.158.00 | 2    | Oil seal OR Ø 36x1               |
| 5315 | 753.105.00 | 1    | Oil seal OR Ø 13.3x2.4           |
| 5320 | 753.129.00 | 1    | Cylinder base gasket             |
| 5327 | 753.120.00 | 1    | Sidecase gasket                  |
| 5328 | 753.121.00 | 1    | Gear box gasket                  |
| 5339 | 753.109.00 | 1    | Stator gasket                    |
| 5347 | 753.110.00 | 1    | Reed valve gasket                |
| 5359 | 753.112.00 | 1    | Oil drain gasket                 |
| 5384 | 753.034.00 | 1    | Oil seal Ø 10x18x4 G101840       |
| 5602 | 756.085.00 | 6    | Centrifugal roller Ø 9.8         |
| 5603 | 756.078.00 | 1    | Water pump shaft                 |
| 5612 | 756.080.00 | 1    | Thermostat                       |
| 5615 | 756.029.00 | 2    | Crankcase locating dowel         |
| 5616 | 756.030.00 | 4    | Gearbox locating dowel           |
| 5640 | 756.070.00 | 2    | Pin Ø 8x32                       |
| 5653 | 756.079.00 | 3    | Water pump drive shaft           |
| 5661 | 756.024.00 | 1    | Water pump spindle pin           |
| 5662 | 756.071.00 | 1    | Pin Ø 3x11.8                     |
| 5668 | 756.099.00 | 2    | Pin guide                        |
| 5670 | 756.073.00 | 1    | Pin Ø 10x33                      |

| Nr.   | Codice     | Q.tà | Descrizione                                   |
|-------|------------|------|---|
| 6013  | 760.048.00 | 1    | Corpo pompa acqua                             |
| 6015  | 760.046.00 | 1    | Valvola lamelle completa                      |
| 9323  | 703.028.00 | 2    | Anello fermo spinotto Ø 11,8                  |
| 9351  | 703.003.00 | 1    | Anello seeger albero                          |
| 9353  | 703.005.00 | 1    | Anello seeger albero Ø 15                     |
| 9368  | 703.025.00 | 1    | Anello seeger foro Ø 40 spessore 1.75         |
| 9375  | 703.026.00 | 2    | Anello seeger albero Ø 19                     |
| 24100 | 724.057.00 | 1    | Traino girante pompa acqua                    |
| 49004 | 749.148.00 | 1    | Fascetta tubo pompa olio                      |
| 49005 | 749.270.00 | 1    | Fascetta antimanomissione flangia aspirazione |
| 49006 | 167.031.00 | 2    | Fascetta tubo acqua                           |
| 49015 | 749.107.00 | 1    | Chiavetta volano magnete                      |
| 49022 | 749.223.00 | 1    | Kit tubini unione testa-carburatore           |
| 49040 | 749.210.00 | 1    | Dado M10x1.25                                 |
| 49041 | 749.181.00 | 1    | Dado M10x1.25 H=8                             |
| 49055 | 749.182.00 | 1    | Dado M28x1 (CH=41) H=4                        |
| 49057 | 749.183.00 | 4    | Dado M 7x1 fissaggio testa                    |
| 49058 | 749.184.00 | 1    | Dado M10x1 H=5.8 (CH=24)                      |
| 49070 | 749.186.00 | 1    | Distanziale cuscinetto paraolio frizione      |
| 49072 | 749.212.00 | 1    | Distanziale Ø 21,9x17,5x4,5                   |
| 49077 | 749.187.00 | 1    | Distanziale attacco carter                    |
| 49084 | 749.188.00 | 4    | Prigioniero fissaggio testa M 7x1x109         |
| 49108 | 749.021.00 | 3    | Rondella grower Ø 6                           |
| 49129 | 749.189.00 | 1    | Rondella acciaio blu Ø 15,1x28x1              |
| 49148 | 749.222.00 | 1    | Rondella acciaio Ø 13.2x20x1.3                |
| 49162 | 749.206.00 | 1    | Rondella acciaio blu Ø 14x29x1                |
| 49212 | 184.009.00 | 2    | Vite T.C.B. M5x14 taglio croce                |
| 49230 | 749.088.00 | 2    | Vite T.C.B. M4x10 taglio croce                |
| 49232 | 749.140.00 | 3    | Vite t.c.b. M6x12                             |
| 49237 | 749.095.00 | 2    | Vite T.C.C.E. M 5x14                          |
| 49238 | 749.065.00 | 3    | Vite T.C.C.E. M 5x20                          |
| 49243 | 749.036.00 | 2    | Vite T.C.C.E. M 6x16                          |
| 49244 | 749.037.00 | 9    | Vite T.C.C.E. M 6x20                          |
| 49245 | 749.068.00 | 3    | Vite T.C.C.E. M 6x25                          |
| 49247 | 749.039.00 | 8    | Vite T.C.C.E. M 6x35                          |
| 49255 | 749.176.00 | 3    | Vite T.C.C.E. M 6x12                          |
| 49285 | 749.191.00 | 1    | Vite T.E M8x1,25x15 scarico olio              |
| 49292 | 184.218.00 | 3    | Vite antimanomissione M6                      |
| 49338 | 749.267.00 | 4    | Vite t.c.b. M6x20                             |
| 49352 | 749.192.00 | 1    | Rondella conica scodellino                    |
| 49353 | 749.193.00 | 1    | Rondella Ø 10.5x18x2                          |

| Nr.   | Code       | Q.ty | Description                 |
|-------|------------|------|-----------------------------|
| 6013  | 760.048.00 | 1    | Water pump housing          |
| 6015  | 760.046.00 | 1    | Reed valve assy             |
| 9323  | 703.028.00 | 2    | Circlip Ø 11,8              |
| 9351  | 703.003.00 | 1    | Kick start circlip          |
| 9353  | 703.005.00 | 1    | Kick start circlip Ø 15     |
| 9368  | 703.025.00 | 1    | Circlip Ø 40                |
| 9375  | 703.026.00 | 2    | Circlip Ø 19                |
| 24100 | 724.057.00 | 1    | Water pump shaft            |
| 49004 | 749.148.00 | 1    | Clamp                       |
| 49005 | 749.270.00 | 1    | Antitampering clamp         |
| 49006 | 167.031.00 | 2    | Clamp                       |
| 49015 | 749.107.00 | 1    | Woodruff key                |
| 49022 | 749.223.00 | 1    | Carburettor heater hose set |
| 49040 | 749.210.00 | 1    | Nut M10x1.25                |
| 49041 | 749.181.00 | 1    | Nut M10x1.25 H=8            |
| 49055 | 749.182.00 | 1    | Nut M28x1 (CH=41)           |
| 49057 | 749.183.00 | 4    | Nut M7x1                    |
| 49058 | 749.184.00 | 1    | Nut M10x1 H=5.8             |
| 49070 | 749.186.00 | 1    | Spacer                      |
| 49072 | 749.212.00 | 1    | Spacer Ø 21,9x17,5x4,5      |
| 49077 | 749.187.00 | 1    | Spacer                      |
| 49084 | 749.188.00 | 4    | Cylinder head stud          |
| 49108 | 749.021.00 | 3    | Washer Ø 6                  |
| 49129 | 749.189.00 | 1    | Washer Ø 15,1x28x1          |
| 49148 | 749.222.00 | 1    | Washer Ø 13.2x20x1.3        |
| 49162 | 749.206.00 | 1    | Washer Ø 14x29x1            |
| 49212 | 184.009.00 | 2    | Screw M5x14                 |
| 49230 | 749.088.00 | 2    | Screw M4x10                 |
| 49232 | 749.140.00 | 3    | Screw M6x12                 |
| 49237 | 749.095.00 | 2    | Screw M5x14                 |
| 49238 | 749.065.00 | 3    | Screw M5x20                 |
| 49243 | 749.036.00 | 2    | Screw M6x16                 |
| 49244 | 749.037.00 | 9    | Screw M6x20                 |
| 49245 | 749.068.00 | 3    | Screw M6x25                 |
| 49247 | 749.039.00 | 8    | Screw M6x35                 |
| 49255 | 749.176.00 | 3    | Screw M6x12                 |
| 49285 | 749.191.00 | 1    | Oil drain plug M8x1,25x15   |
| 49292 | 184.218.00 | 3    | Antitampering screw         |
| 49338 | 749.267.00 | 4    | Screw M6x20                 |
| 49352 | 749.192.00 | 1    | Washer                      |
| 49353 | 749.193.00 | 1    | Washer Ø 10.5x18x2          |



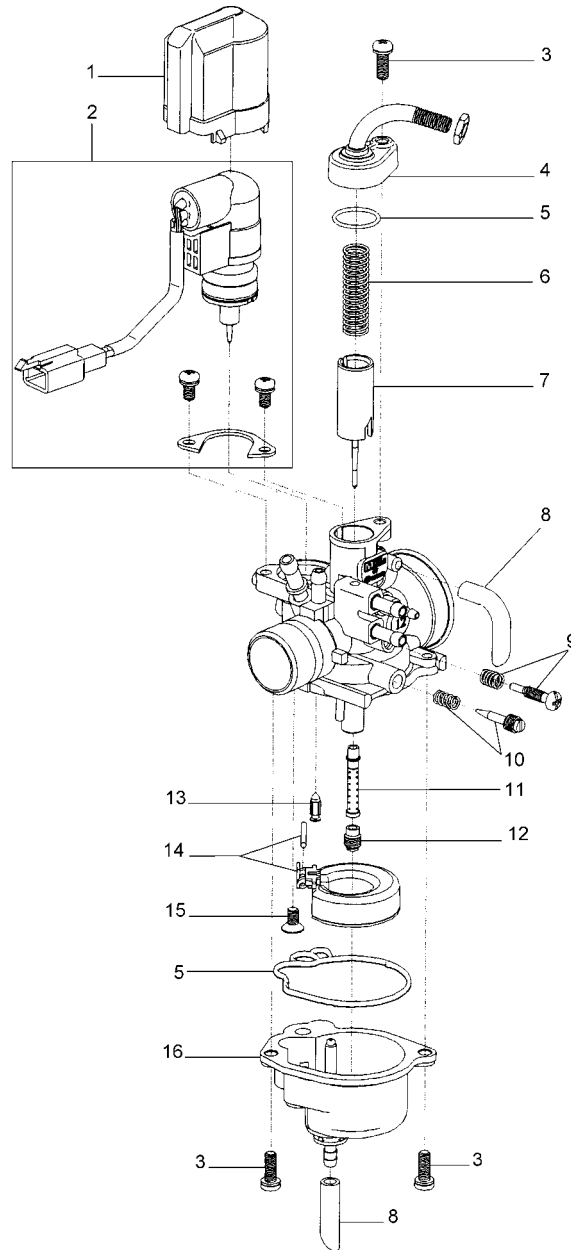
# Scooter F 12 LC-2D Restyling KAT EURO 2

## Motore 21 MA - 21 MA engine parts

**TAV. R**

| Nr.   | Codice     | Q.tà | Descrizione                             | Nr.   | Code       | Q.ty | Description                           |
|-------|------------|------|---|-------|------------|------|---------------------------------------|
| 49354 | 749.194.00 | 2    | Rondella Ø 8x16x2                       | 49354 | 749.194.00 | 2    | Washer Ø 8x16x2                       |
| 49501 | 749.197.00 | 9    | Vite T.C.C.E. M6 x 25                   | 49501 | 749.197.00 | 9    | Screw M6x25                           |
| 49502 | 749.207.00 | 2    | Vite T.C.C.E. M6 x 35                   | 49502 | 749.207.00 | 2    | Screw M6x35                           |
| 49503 | 749.208.00 | 1    | Vite T.C.C.E. M6x45 (nera)              | 49503 | 749.208.00 | 1    | Screw M6x45 (black)                   |
| 49509 | 749.266.00 | 2    | Vite t.c.c.e. M6x20                     | 49509 | 749.266.00 | 2    | Screw M6x20                           |
| 51101 | 751.066.00 | 2    | Cuscinetto Ø 20x47x14 (83299- 9RTCS31)  | 51101 | 751.066.00 | 2    | Bearing Ø 20x47x14 (83299- 9RTCS31)   |
| 51107 | 751.055.00 | 2    | Cuscinetto Ø 8x22x7                     | 51107 | 751.055.00 | 2    | Bearing Ø 8x22x7                      |
| 51301 | 751.053.00 | 1    | Gabbia Ø 57x61x10 (57RFN-6110A)         | 51301 | 751.053.00 | 1    | Cage Ø 57x61x10 (57RFN-6110A)         |
| 53308 | 753.128.00 | 1    | Anello di tenuta OR 53,7x1,78           | 53308 | 753.128.00 | 1    | Oil seal 53,7x1,78                    |
| 53309 | 753.127.00 | 1    | Guarnizione OR Ø 2,62 esterna           | 53309 | 753.127.00 | 1    | Gasket Ø 2,62                         |
| 53310 | 753.130.00 | 1    | Guarnizione OR Ø 2,62 interna           | 53310 | 753.130.00 | 1    | Gasket Ø 2,62                         |
| 53318 | 753.160.00 | 1    | Anello di tenuta OR Ø 3x300             | 53318 | 753.160.00 | 1    | Oil seal Ø 3x300                      |
| 53400 | 753.161.00 | 1    | Guarnizione piastra inferiore           | 53400 | 753.161.00 | 1    | Gasket                                |
| 53501 | 753.115.00 | 1    | Paraolio Ø 20x30/34x5/6.1               | 53501 | 753.115.00 | 1    | Oil seal Ø 20x30/34x5/6.1             |
| 53502 | 753.116.00 | 1    | Paraolio Ø 20x42/43x8/9                 | 53502 | 753.116.00 | 1    | Oil seal Ø 20x42/43x8/9               |
| 53503 | 753.117.00 | 1    | Paraolio Ø 17x28x5.5                    | 53503 | 753.117.00 | 1    | Oil seal Ø 17x28x5.5                  |
| 53504 | 753.118.00 | 1    | Paraolio Ø 22x32x6                      | 53504 | 753.118.00 | 1    | Oil seal Ø 22x32x6                    |
| 53506 | 753.136.00 | 2    | Paraolio Ø 34x39x4                      | 53506 | 753.136.00 | 2    | Oil seal Ø 34x39x4                    |
| --    | 740.161.00 | 1    | Gruppo variatore con frizione           | --    | 740.161.00 | 1    | Variable transmission clutch set      |
| --    | 771.124.00 | 1    | Serie paraoli CY 50                     | --    | 771.124.00 | 1    | Oil seal set                          |
| --    | 771.145.00 | 1    | Pistone Ø 40,5 - 1°maggiorazione        | --    | 771.145.00 | 1    | 1° oversized piston Ø 40,5 -          |
| --    | 771.145.01 | 1    | Pistone Ø 41 - 2°maggiorazione          | --    | 771.145.01 | 1    | 2° oversized piston Ø 41 -            |
| --    | 771.143.00 | 1    | Serie segmenti Ø 40.5 - 1°maggiorazione | --    | 771.143.00 | 1    | 1° oversized piston ring set Ø 40.5 - |
| --    | 771.143.01 | 1    | Serie segmenti Ø 41 - 2°maggiorazione   | --    | 771.143.01 | 1    | 2° oversized piston ring set Ø 41 -   |
| --    | 799.102.00 | 1    | Serie guarnizioni MA 50                 | --    | 799.102.00 | 1    | Gasket set                            |
| --    | 142.111.03 | 1    | Motore completo EURO 2 (174.112)        | --    | 142.111.03 | 1    | Engine assy EURO 2 (174.112)          |





| Nr. | Codice     | Q.tà | Descrizione                                   |
|-----|------------|------|---|
| 01  | 623.101.00 | 1    | Cappuccio                                     |
| 02  | 623.120.00 | 1    | Starter completo                              |
| 03  | 623.106.00 | 3    | Vite  |
| 04  | 623.117.00 | 1    | Coperchio completo                            |
| 05  | 623.119.00 | 1    | Kit guarnizioni                               |
| 06  | 623.098.00 | 1    | Molla valvola gas                             |
| 07  | 623.230.00 | 1    | Valvola gas completa                          |
| 08  | 623.124.00 | 1    | Kit tubi sfiato - presa aria                  |
| 09  | 623.121.00 | 1    | Vite regolazione valvola gas                  |
| 10  | 623.122.00 | 1    | Vite regolazione minimo                       |
| 11  | 623.113.00 | 1    | Polverizzatore                                |
| 12  | 623.228.00 | 1    | Getto max. Ø 56                               |
| 13  | 623.114.00 | 1    | Valvola a spillo                              |
| 14  | 623.232.00 | 1    | Galleggiante completo                         |
| 15  | 623.107.00 | 1    | Vite fissaggio galleggiante                   |
| 16  | 623.233.00 | 1    | Vaschetta completa                            |
| --  | 715.100.00 | 1    | Carburatore completo<br>Gurtner PY 12 / R 437 |

| Nr. | Code       | Q.tà | Description                               |
|-----|------------|------|---|
| 01  | 623.101.00 | 1    | Cap                                       |
| 02  | 623.120.00 | 1    | Starter, complete                         |
| 03  | 623.106.00 | 3    | Screw                                     |
| 04  | 623.117.00 | 1    | Cover, complete                           |
| 05  | 623.119.00 | 1    | Gasket set                                |
| 06  | 623.098.00 | 1    | Throttle valve spring                     |
| 07  | 623.230.00 | 1    | Throttle valve, complete                  |
| 08  | 623.124.00 | 1    | Breather pipe/air intake kit              |
| 09  | 623.121.00 | 1    | Throttle valve adj. screw                 |
| 10  | 623.122.00 | 1    | Idling mix adj. screw                     |
| 11  | 623.113.00 | 1    | Spray nozzle                              |
| 12  | 623.228.00 | 1    | Max jet Ø 56                              |
| 13  | 623.114.00 | 1    | Needle valve                              |
| 14  | 623.232.00 | 1    | Float assy                                |
| 15  | 623.107.00 | 1    | Float clamp screw                         |
| 16  | 623.233.00 | 1    | Float chamber                             |
| --  | 715.100.00 | 1    | Carburettor assy<br>Gurtner PY 12 / R 437 |